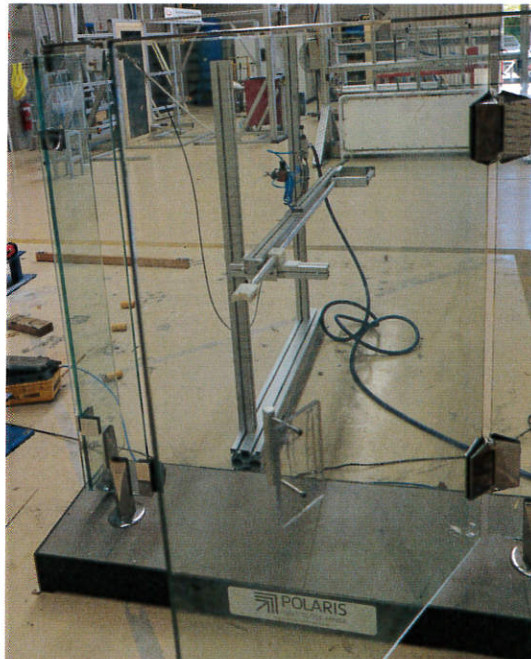

SWIMMING POOL SAFETY - GLASS



A Z U M A
Design



GLASS HARDWARE AUSTRALIA
POLARIS SOFT CLOSE 120 HINGE

TESTED BY
AZUMA DESIGN PTY LTD

AZT0096.16

1 Aim

To perform a cycle test to determine the durability of self closing hinges.

2 Test Sample Description

2.1 General

Model No./Name	Polaris Soft Close 120 Hinge
Customer	Glass Hardware Australia
Address	2A/172 Silverwater Rd, Silverwater NSW 2128
Azuma Testing Number	AZT 0096.16
Date of Test	19/02/2016

2.2 Barrier

Glass Material	Toughened Glass
Glass Thickness	12 mm
Glass Panel Size	1180 mm (H) x 200 mm (W)
Total Product Height above 1100 mm as per AS 1926.1	Yes
Glass Installation Type	Single spigot (glass clamped)
Gap between bottom of barrier and ground level less than 100 mm	62 mm
Description	One placed either side of gate unit, hinges and blade stop fixed to panels

2.3 Posts or Spigots

Material	2205 Duplex Grade Stainless Steel
Overall Size	180 mm (H) x 50 mm (D)
Base Plate (if applicable)	100 mm (D)
Fixing Method	Core Drilled, 120 mm deep

2.4 Gate Unit

Glass Material	Toughened Glass
Glass Thickness	12 mm
Overall Size	1170 mm (H) x 850 mm (W)
Gap between bottom of gate and ground level less than 100 mm	65 mm
Lock Description	No Lock Used
Lock on inside of barrier	N/A
Lock not less than 1200 mm from ground level	N/A
Lock not less than 1000 mm above highest lowest horizontal member	N/A
Lock at least 150 mm from top of barrier or below hand hole	N/A
Able to lock with key	N/A
Hinge Description	Polaris Soft Close Hinge
Hinge Drawing	See Page 3
Self Closing from all angles	Yes

3 Durability of a Gate Unit

3.1 Results

Number of operations the sample completed	10073 operations
The force required to release the latch at the start of the test	Not Tested
The force required to release the latch at the end of the test	Not Tested
Any damage to the gate, hinges, latching device or gate posts at the end of the test	No
Observations	Nil
Result	Pass (Cycles only)

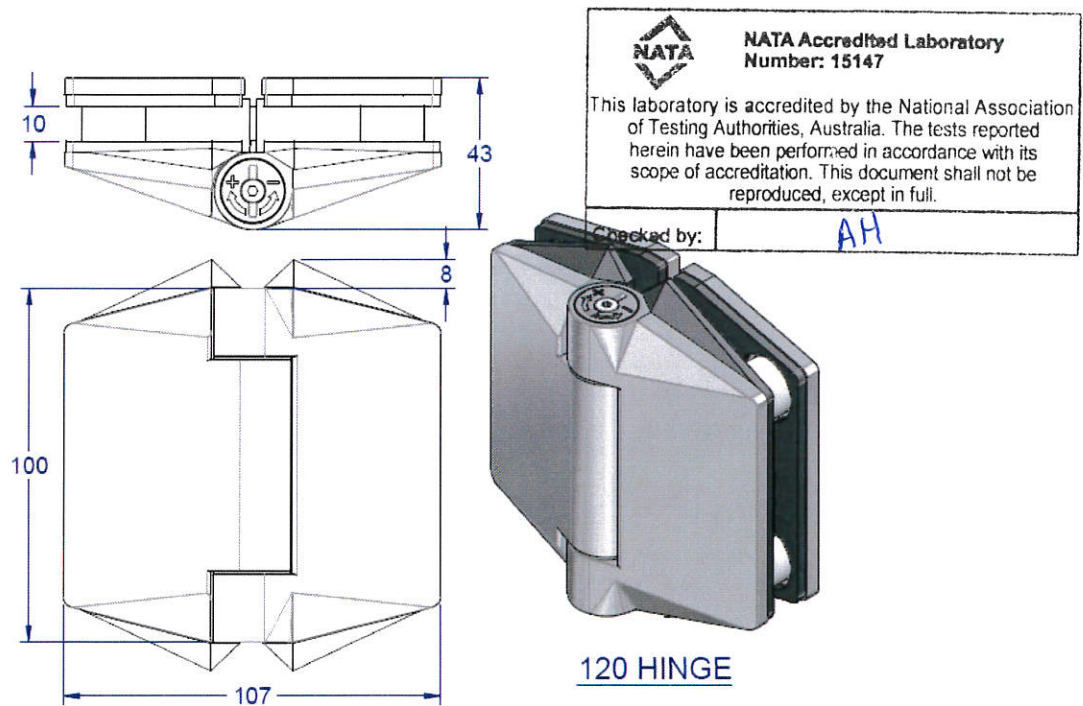


Figure 1: Drawing of Hinge

3.2 Conclusion & Signatories

The soft close hinges have completed 10073 cycles with no signs of damage or reduced function.

Tested By: Rob Irwin

Signatory Name: Ash Horne

Signatory Signature: AHorne

Date: 6/4/16