
TEST REPORT



A Z U M A
Design

POOL FENCE

CLIENT – GLASS HARDWARE AUSTRALIA

PRODUCT – DECK MOUNT SPIGOT (TIMBER)

TESTED BY

AZUMA DESIGN PTY LTD

AZT0499.22

NATA ACCREDITED LABORATORY NO. 15147

This document shall not be reproduced, except in full

Test results in this report are relevant only to the sample tested

1 Customer Requirements

To test the pool fence sample according to AS1926.1 Set 2012- Swimming Pool Safety Standards Set- Section 3- Loading Requirements. Only the applicable tests for this type of sample shall be carried out.

2 Test Sample Information

2.1 General Information

Product Name/Number	Deck Mount Spigot on Timber Decking Model SP4
Customer	Glass Hardware Australia
Address	6/4 Stockyard Place, West Gosford NSW 2250
Azuma Test Number	AZT0499.22
Date of Test	19/09/2022
Sample Condition	Sample supplied and installed by customer
Overall Size	1700 mm (Width) x 1220 mm (Height)
Test Sample Description	Two deck mounted spigots fixed to typical timber decking with timber coach screws. Spigots are clamping a 12 mm thick panel of toughened glass using two grub screws a steel plate and a plastic gasket.

2.2 Barrier

Material	12 mm Toughened Glass	
Overall Dimensions	Horizontal	1700 mm
	Vertical	1170 mm
Gap between Vertical Elements (< 100 mm)	N/A	
Spacing between Vertical Elements	N/A	
NCZ of Horizontal Elements (> 900 mm)	1070 mm Top of Spigot to Glass	
Total Product Height Greater than 1200 mm	1220 mm	
Gap between bottom of barrier and finished ground level (< 100 mm)	50 mm	

AZT 0499.22

Azuma Design Pty Ltd
38 Redfern Street Wetherill Park, NSW, 2164 Australia +61(02) 9604 0255
Test results in this report are relevant only to the sample tested.
Accreditation Number: 15147 - Accredited for compliance with ISO/IEC 17025 - TESTING.
This document shall not be reproduced, except in full.



2.3 Gate

No Gate as part of Test Sample

2.4 Spigots

Material	Duplex 2205 Stainless Steel
Overall Dimensions	50 x 50 x 160 mm
Base Plate (if applicable)	95 x 95 x 8 mm
Drawing Supplied	
Fixing Method	4 off
Spacing between Posts	850 mm

2.5 Hardware

No Hardware as part of Test Sample

3 Strength and Rigidity of Barrier Openings

Not required due to design type

4 Strength of Posts and Footings

Tested in accordance with AS1926.1, Appendix B.

Permanent Deformation	0 mm
Breakage or sign of fracture of any component	Nil
Loosening of any component that will impair the effectiveness of the panel	Nil
Any damage to the gate that would prevent it from closing and latching from any position	Nil
Result	Pass

5 Strength of Fencing Components

Tested in accordance with AS1926.1, Appendix C.

Horizontal Rail	
Permanent Deformation	0.31 mm
Break	Nil
Signs of Fracture	Nil
Loosening	Nil
Permanently deformed more than 1/200	0.31 mm < 8.50 mm
Result	Pass

Vertical Picket	
Permanent Deformation	0.97 mm
Break	Nil
Signs of Fracture	Nil
Loosening	Nil
Permanently deformed more than 1/200	0.97 mm < 5.85 mm
Result	Pass

Azuma Design Pty Ltd

38 Redfern Street Wetherill Park, NSW: 2164 Australia +61(02) 9604 0255

Test results in this report are relevant only to the sample tested.

Accreditation Number: 15147 - Accredited for compliance with ISO/IEC 17025 - TESTING

This document shall not be reproduced, except in full.

AZT 0499.22

6 Flexible Materials & Components

Not required due to design type

7 Strength Test for Rigid Components of Gate Units

No Gate as part of Test Sample

8 Durability of Gate Units

No Gate as part of Test Sample

9 Additional Testing for Gate Units

No Gate as part of Test Sample

10 Conclusion and Signatories

10.1 Conclusion

From the results achieved, it is evident that the sample satisfied the tested requirements as per AS1926.1-2012 Swimming Pool Safety Standards Set.

10.2 Signatories

Tested By: Ash Horne

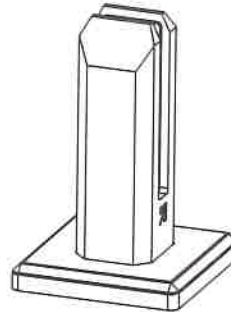
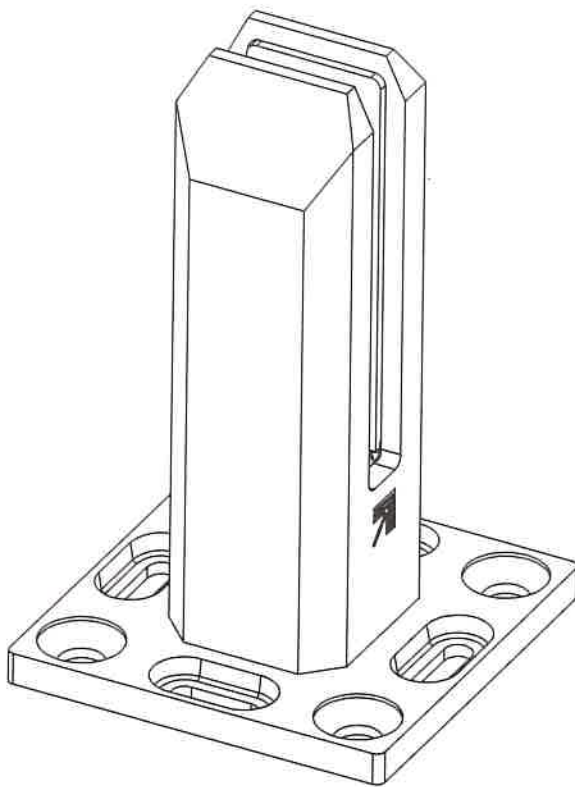
Signature: Ash Horne

Date: 19/09/2022

END OF REPORT

SPIGOT - BASE PLATE

GLASS PANELS



COVER PLATE
INCLUDED

FINISHES AND FUNCTIONS

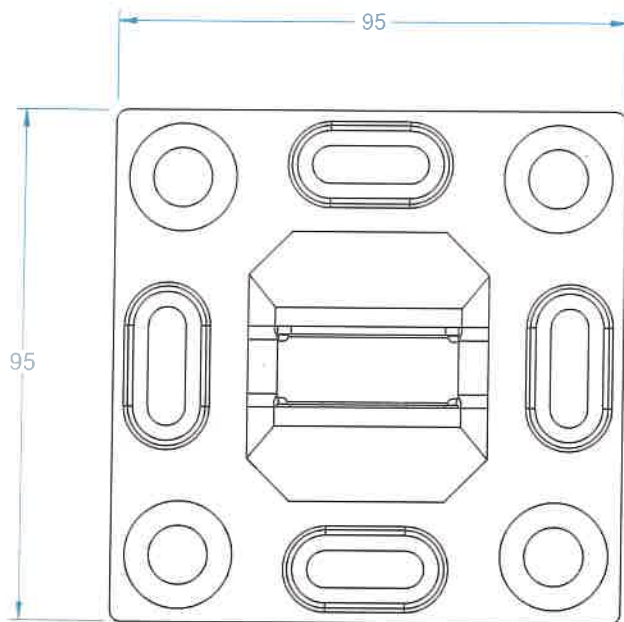
- 2205 GRADE STAINLESS STEEL
- POLISHED FINISH
- SATIN FINISH
- BLACK FINISH



12mm
GLASS

ADVANTAGES

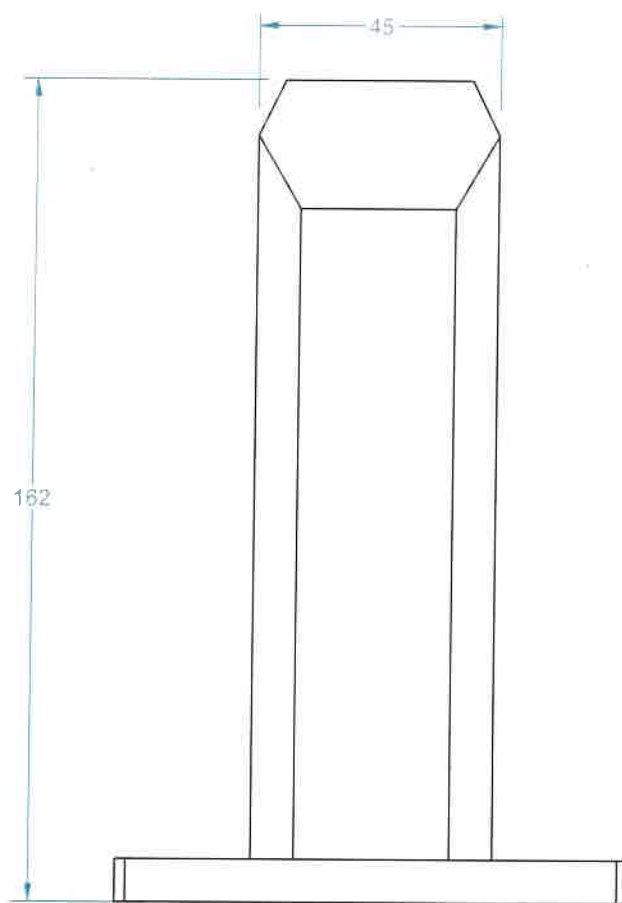
- CONTEMPORARY DESIGN WITH MINIMAL VISIBLE FIXINGS AT REAR
- 45mm FRONT FACE PROFILE
- TAPERED TOP TO COMPLY WITH 'NO TOE HOLD' REQUIREMENTS
- CENTRAL SCREW HOLE FOR TEMPORARY ALIGNMENT AT INSTALLATION
- BASE PLATE FEATURES 4x CSK ANCHOR HOLES, AS WELL AS 4x OPTIONAL SLOTS FOR INSTALL ALIGNMENT
- RECESSED FRICTION PLATE PROVIDES A NEAT FINISH AND EASY INSTALLATION



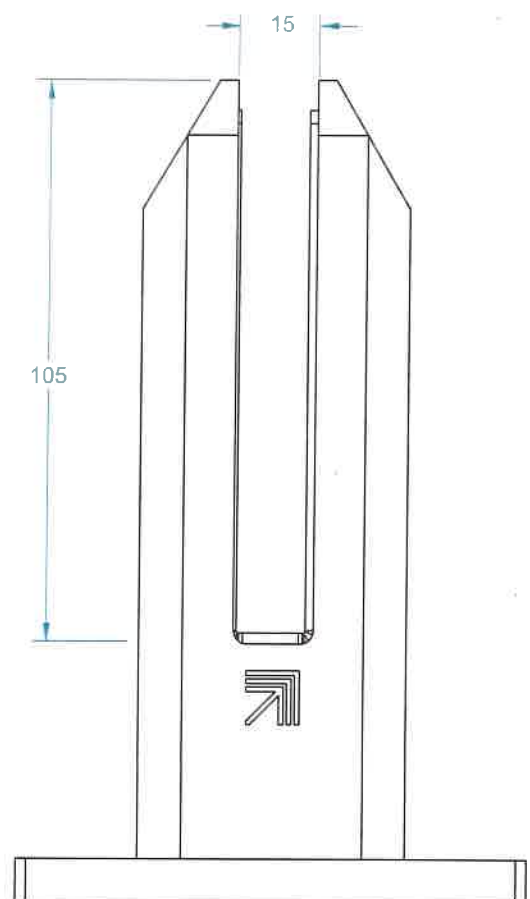
TOP VIEW

TO ORDER SPECIFY:

- SP4P POLISHED FINISH
- SP4S SATIN FINISH
- SP4B BLACK FINISH



FRONT VIEW



SIDE VIEW

INFORMATION SUPPLIED BY CUSTOMER

