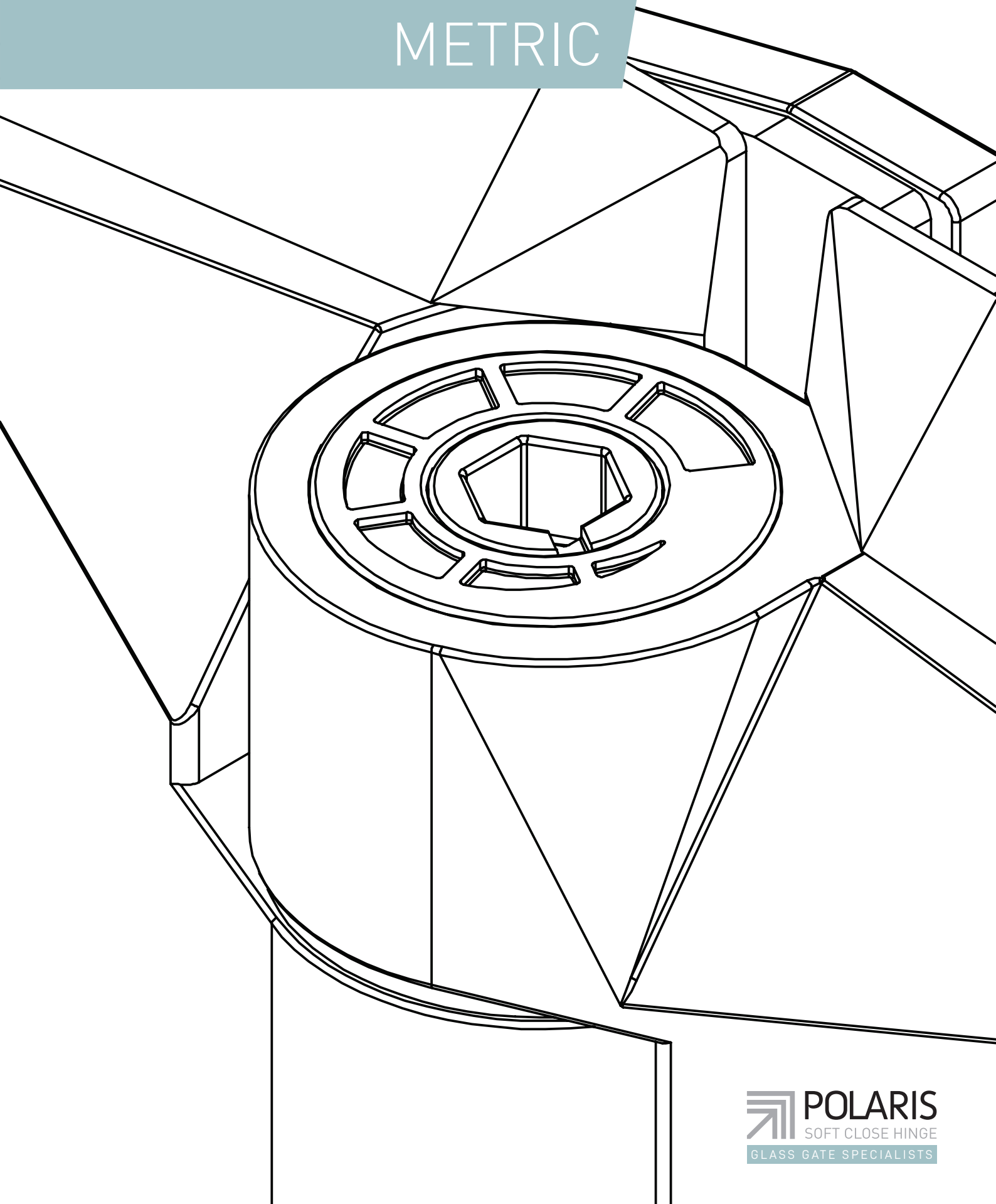


# POLARIS SOFT CLOSE HINGE

Product Guide

## METRIC



# INTRODUCING POLARIS SOFT CLOSE HINGE STATE-OF-THE-ART SELF-CLOSING HINGE FOR FRAMELESS GLASS

The Polaris Soft Close Hinge developed by Glass Hardware Australia is a unique self-closing hinge for use in all outdoor and indoor frameless glass applications. It was designed to meet the tough requirements of frameless glass pool fencing in Australia so can be used in all applications where glass doors or gates are needed. The Polaris Soft Close Hinge is designed to be resistant to chemicals, to operate in a wet environment and to withstand constant outdoor use and the harsh Australian weather.

To be used as a glass pool fence hinge meant it had to be durable, reliable and last for at least ten years. The sleek stainless steel construction makes it strong and durable but also makes it stylish and attractive. As an architectural feature it is minimalist and its design geometry is compatible with the toughened glass it supports.

The Polaris Soft Close Hinge uses a spring and shock absorbers to ensure gentle closing every time from any position, position, whether fully or only slightly open. The Polaris Soft Close Hinge closes with a soft and light action not only making it safe but also quiet in operation.

As a glass pool fence hinge it is the safest and most reliable hinge in the industry complying with the stringent Australian Standards AS1926 and AS 2820.

In 2010 & 2016 the Polaris Soft Close Hinge was awarded a prestigious Australian International Design Mark™ Award. Presented by Standards Australia, the Australian International Design Awards is Australia's premier design assessment program. Products were judged for their innovation, visual and emotional appeal, functionality, quality of manufacturing, usability & environmental sustainability.

Michael Stuart, the CEO of Glass Hardware Australia, is an industry insider with significant, first-hand experience of installation (and materials supply) and understands the needs of installers, customers and other major stakeholders in the industry. His passionate concern for the safety of glass pool fences has driven him to develop a soft close hinge that will not only meet Australia's safety standards for glass pool fences but is suitable for a range of indoor and outdoor applications.

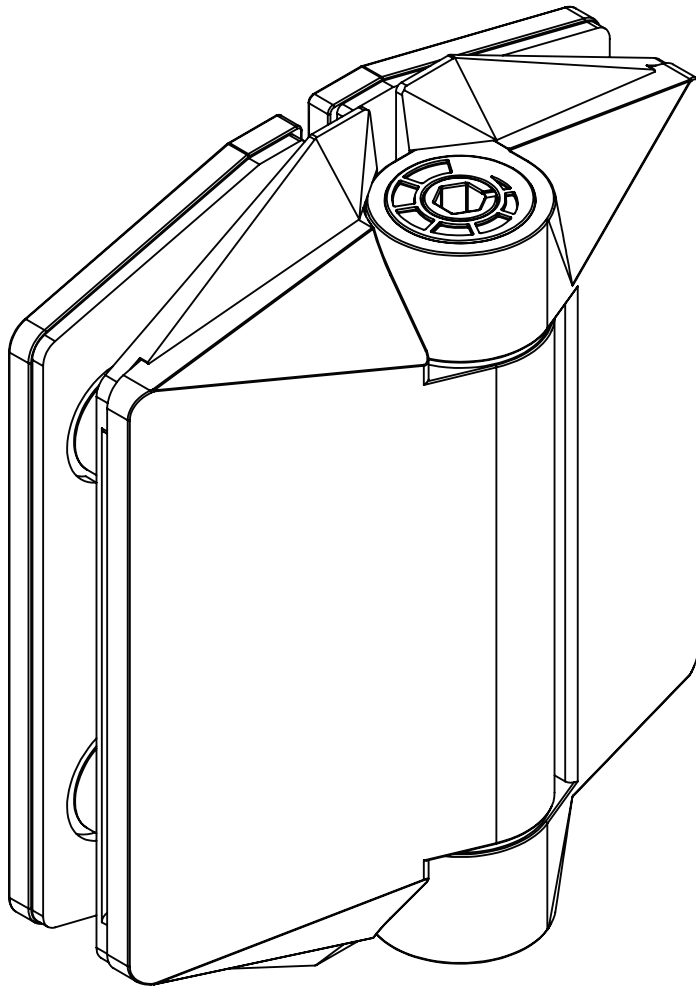
The Polaris Soft Close Hinge is a state-of-the-art product that is ahead of its rivals in design, style and safety.

# CONTENTS

01	125 SERIES POOL HINGE	1-6
	Glass to Glass	Glass to Post Brackets
	Glass to Wall	
02	130 SERIES POOL HINGE - RETRO FIT	7-8
	Glass to Glass	
03	155 SERIES HINGE - RETRO FIT	9-14
	Glass to Glass	Glass to Round Post
	Glass to Wall/Square Post	
04	156 UTILITY HINGE	15-16
	Surface Fix	
05	LATCHES - 600 SERIES	17-20
	Glass to Glass 180 degrees	Glass to Glass Reverse 90 degrees
	Glass to Wall/Post	
	Glass to Glass 90 degrees	
06	LATCHES - 700 SERIES - RETRO FIT	21-25
	Glass to Glass 180 degrees	Glass to Glass Reverse 90 degrees
	Glass to Wall/Post	Glass to Round Post
	Glass to Glass 90 degrees	
07	SIDE PULL LATCH	26
08	POLY HINGE - RETRO FIT	27
09	GROUT	29
10	MISCELLANEOUS	31-38
	125 Hinge Glass to Glass cut out	
	125 Hinge Glass to Wall/Post cut out	
	130 Hinge Glass to Glass cut out	
	155 Hinge Glass to Glass cut out	
	155 Hinge Glass to Wall/Post cut out	
	156 Install Template	
	Polaris Gate Latch Glass Holes - 600 series	
	Retrofit Gate latch Glass Holes - 700 series	

# 125 SERIES POOL HINGE

## GLASS TO GLASS

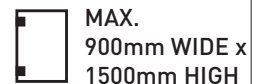


### FINISHES AND FUNCTIONS

- 2205 GRADE STAINLESS STEEL
- 3 SURFACE FINISHES
- SIMPLE *QUIK-ADJUST* RATCHET SYSTEM
- SINGLE ACTION
- SOFT CLOSE
- NON-HOLD OPEN
- ANTI-FOOT-HOLD GASKET AND SAFETY CAP INCLUDED



10mm  
12mm



MAX.  
900mm WIDE x  
1500mm HIGH



MAX 45kg



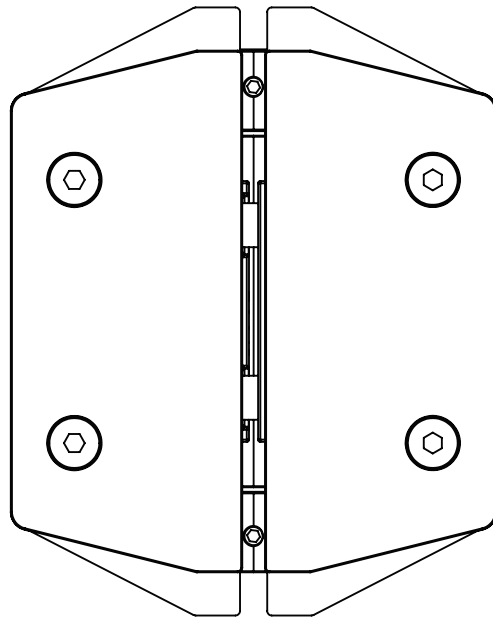
- 10°C  
+ 50°C



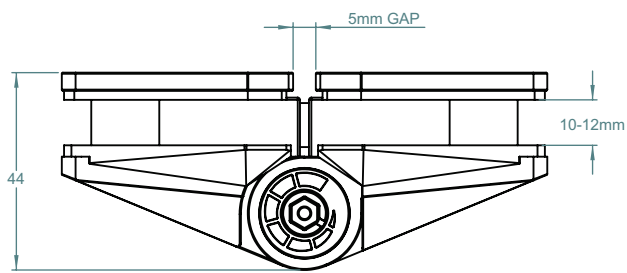
90°

### 125 SERIES POOL HINGE

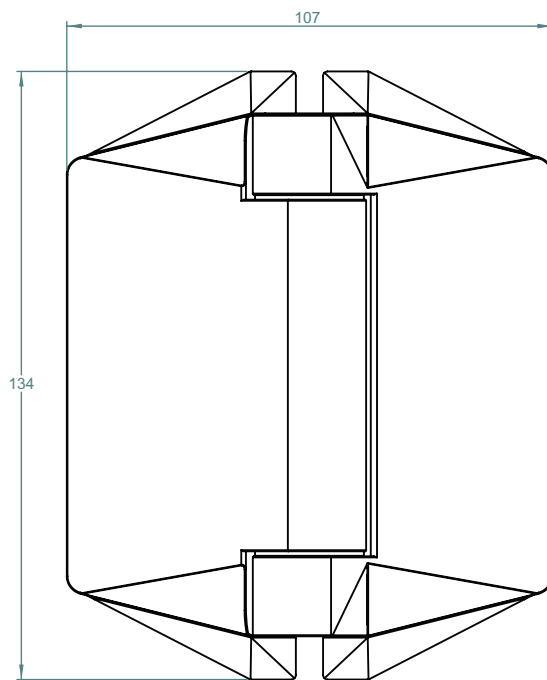
- SELF-CLOSING SAFETY HINGE FOR GLASS POOL FENCING
- TO BE USED WITH CHILD PROOF SAFETY LATCH
- COMPLIES WITH AUSTRALIAN STANDARDS FOR POOL GATE HARDWARE
- NATA ACCREDITED AND INDEPENDENTLY TESTED TO 25 000 CYCLES (NATA = NATIONAL ASSOCIATION OF TESTING AUTHORITIES AUSTRALIA)



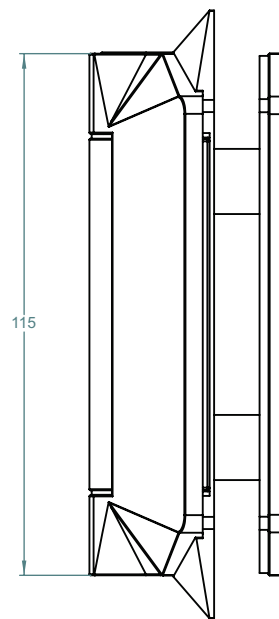
REAR VIEW



TOP VIEW



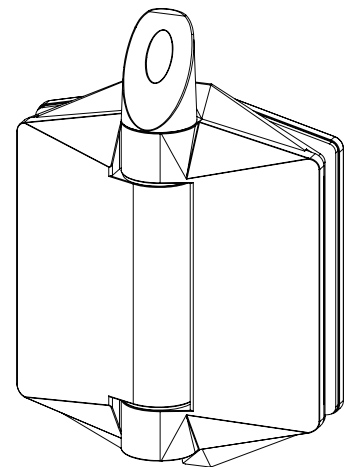
FRONT VIEW



SIDE VIEW

TO ORDER SPECIFY:

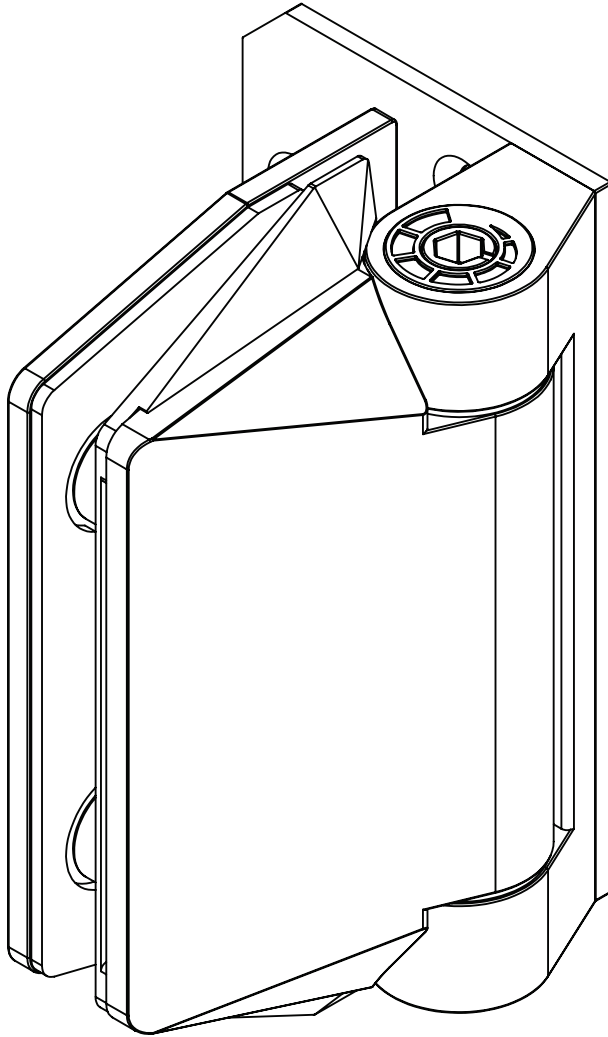
- 125GP POLISHED FINISH
- 125GS SATIN FINISH
- 125GB BLACK FINISH



INSTALLED SAFETY CAP

# 125 SERIES POOL HINGE

## GLASS TO WALL

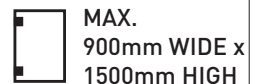


### FINISHES AND FUNCTIONS

- 2205 GRADE STAINLESS STEEL
- 3 SURFACE FINISHES
- SIMPLE *QUIK-ADJUST* RATCHET SYSTEM
- SINGLE-ACTION
- SOFT CLOSE
- NON-HOLD OPEN
- ANTI-FOOT-HOLD GASKET AND SAFETY CAP INCLUDED



10mm  
12mm



MAX.  
900mm WIDE x  
1500mm HIGH



MAX 45kg



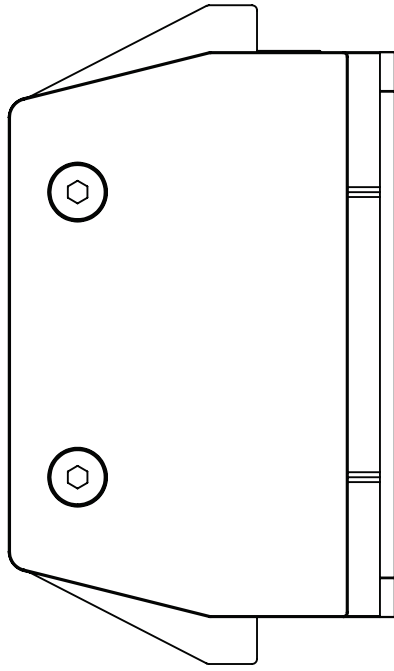
- 10°C  
+ 50°C



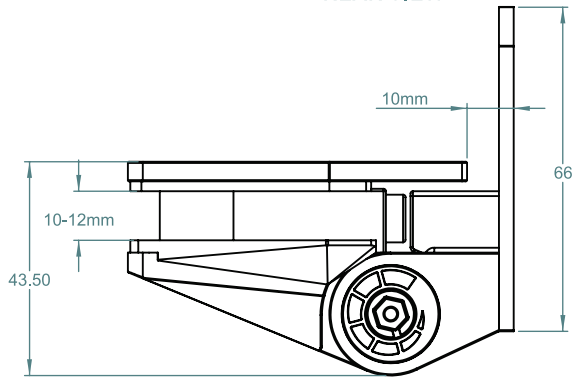
90°

### 125 SERIES POOL HINGE

- SELF-CLOSING SAFETY HINGE FOR GLASS POOL FENCING
- TO BE USED WITH CHILD PROOF SAFETY LATCH
- COMPLIES WITH AUSTRALIAN STANDARDS FOR POOL GATE HARDWARE
- NATA ACCREDITED AND INDEPENDENTLY TESTED TO 25 000 CYCLES (NATA = NATIONAL ASSOCIATION OF TESTING AUTHORITIES AUSTRALIA)



REAR VIEW

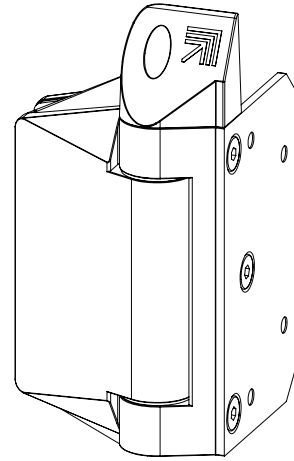


TOP VIEW

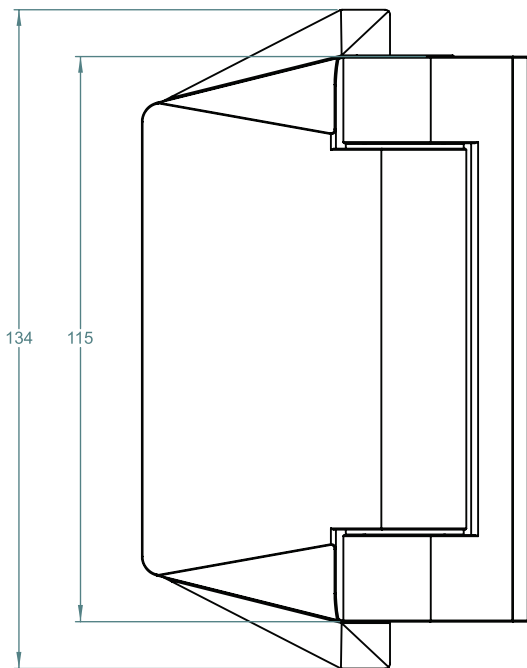
TO ORDER SPECIFY:

- 125WP POLISHED FINISH
- 125WS SATIN FINISH
- 125WB BLACK FINISH

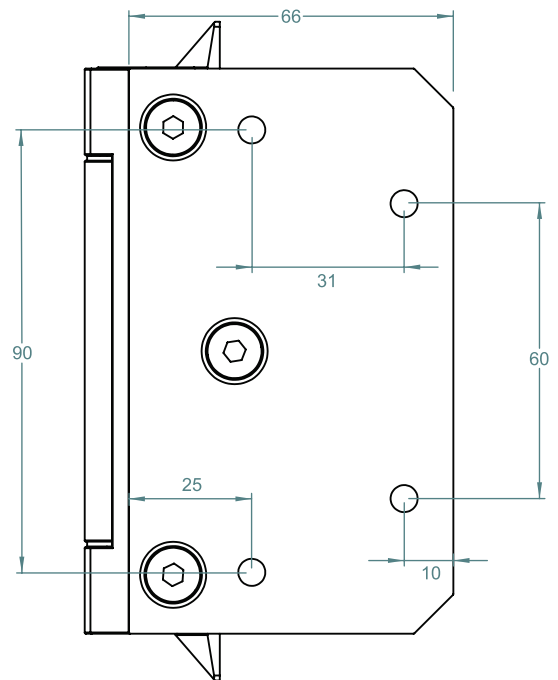
SQUARE OR ROUND  
POST BRACKETS  
AVAILABLE



INSTALLED SAFETY CAP



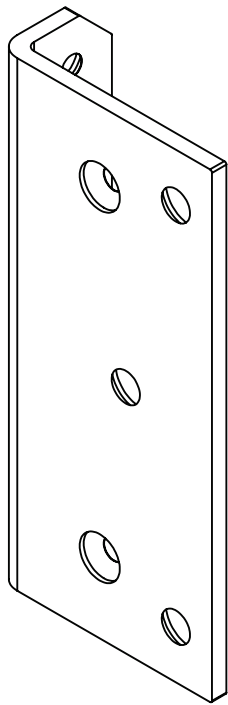
FRONT VIEW



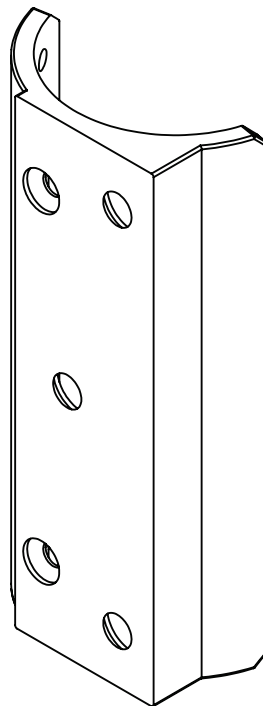
SIDE VIEW

# 125 SERIES POOL HINGE

## GLASS TO POST BRACKETS



**SQUARE POST  
BRACKET**  
(MODEL SP)



**ROUND POST  
BRACKET**  
(MODEL RP)

### 125 SERIES POOL HINGE

- SELF-CLOSING SAFETY HINGE FOR GLASS POOL FENCING
- TO BE USED WITH CHILD PROOF SAFETY LATCH
- COMPLIES WITH AUSTRALIAN STANDARDS FOR POOL GATE HARDWARE
- NATA ACCREDITED AND INDEPENDENTLY TESTED TO 25 000 CYCLES (NATA = NATIONAL ASSOCIATION OF TESTING AUTHORITIES AUSTRALIA)

### FINISHES AND FUNCTIONS

- 2205 GRADE STAINLESS STEEL
- POLISHED STAINLESS
- BRUSHED STAINLESS
- MATT BLACK
- DESIGNED TO FIT WITH 125 GLASS TO WALL HINGE (MODEL 125W)



10mm  
12mm



MAX.  
900mm WIDE x  
1500mm HIGH



MAX 45kg



- 10°C  
+ 50°C



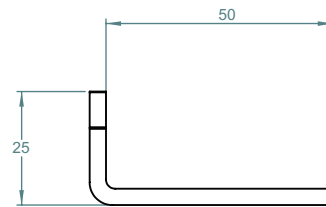
90°



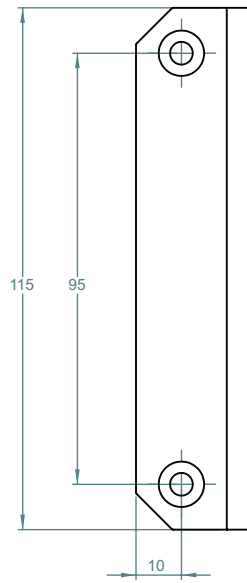
**SQUARE POST BRACKET**

TO ORDER SPECIFY:

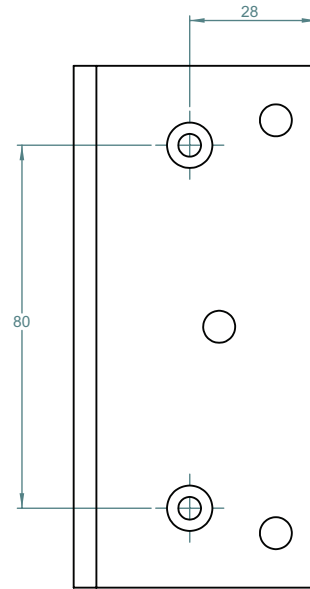
- **SPP** POLISHED FINISH
- **SPS** SATIN FINISH
- **SPB** BLACK FINISH



TOP VIEW



FRONT VIEW

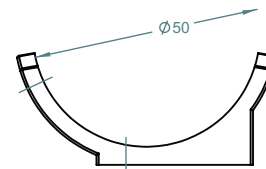


SIDE VIEW

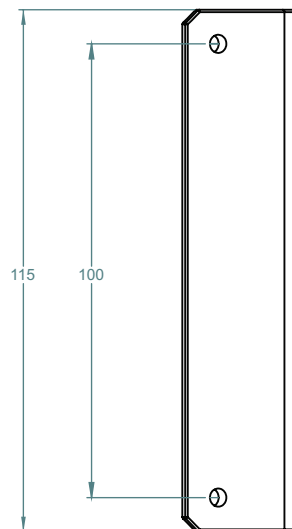
**ROUND POST BRACKET**

TO ORDER SPECIFY:

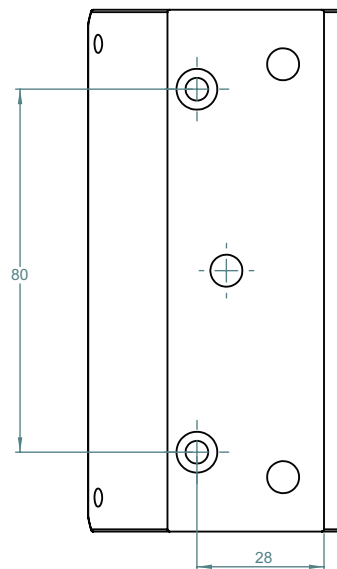
- **RPP** POLISHED FINISH
- **RPS** SATIN FINISH
- **RPB** BLACK FINISH



TOP VIEW



FRONT VIEW

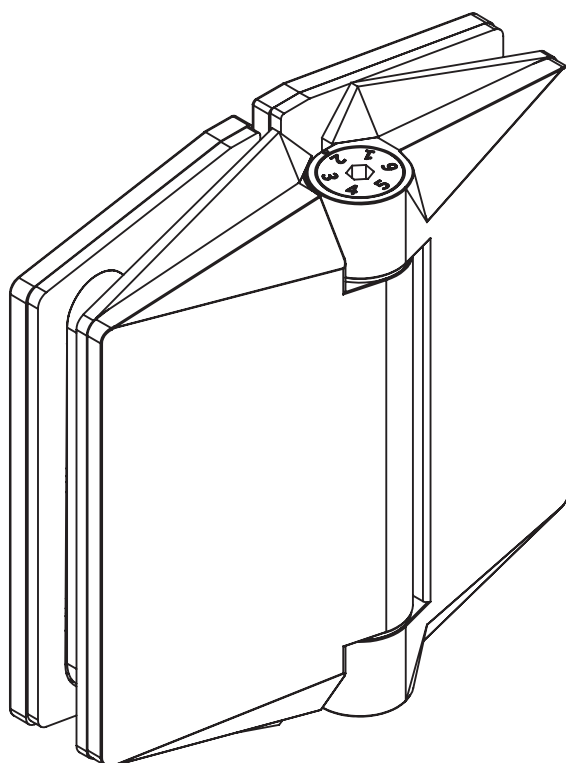


SIDE VIEW

RETRO FIT

# 130 SERIES POOL HINGE

## GLASS TO GLASS



### FINISHES AND FUNCTIONS

- 2205 GRADE STAINLESS STEEL
- POLISHED STAINLESS
- BRUSHED STAINLESS
- SINGLE-ACTION
- SOFTCLOSE
- NON-HOLD OPEN
- ANTI-FOOT-HOLD GASKET AND SAFETY CAP INCLUDED



10mm  
12mm



MAX.  
900mm WIDE x  
1500mm HIGH



MAX 45kg



- 10°C  
+ 50°C

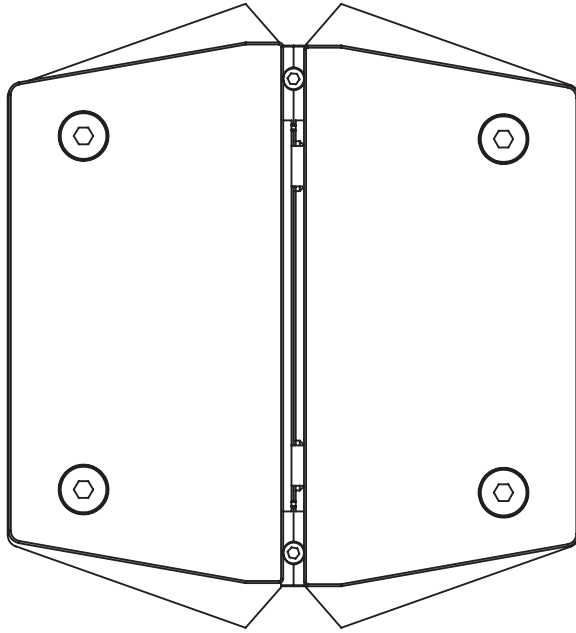


90°

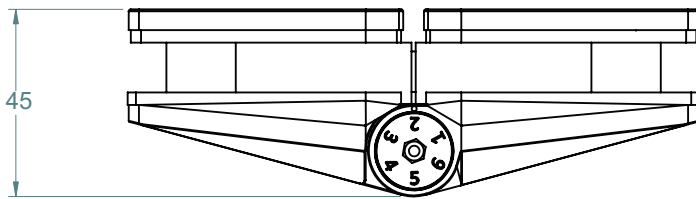
### 130 SERIES POOL HINGE

- SELF-CLOSING SAFETY HINGE FOR GLASS POOL FENCING
- TO BE USED WITH CHILD PROOF SAFETY LATCH
- COMPLIES WITH AUSTRALIAN STANDARDS FOR POOL GATE HARDWARE
- NATA ACCREDITED AND INDEPENDENTLY TESTED TO 25 000 CYCLES (NATA = NATIONAL ASSOCIATION OF TESTING AUTHORITIES AUSTRALIA)

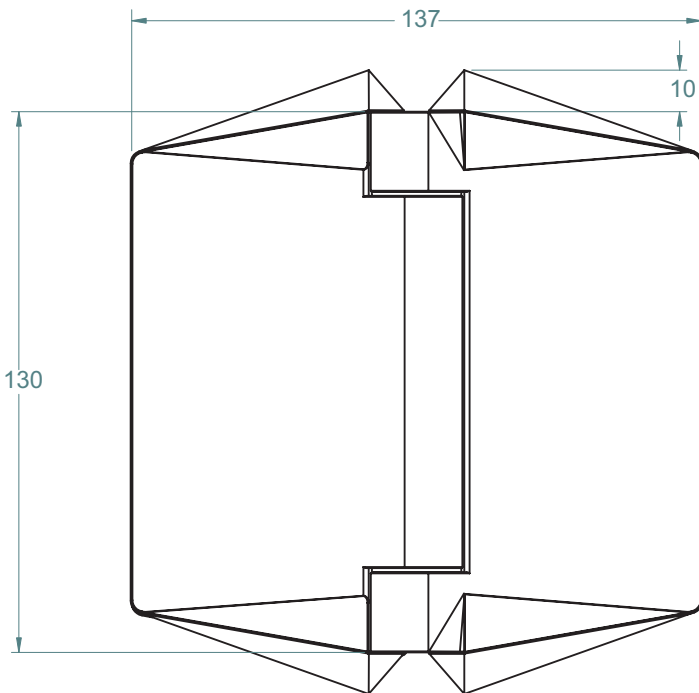
RETRO FIT



REAR VIEW



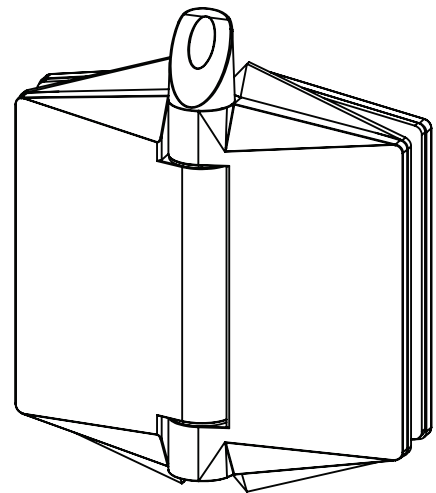
TOP VIEW



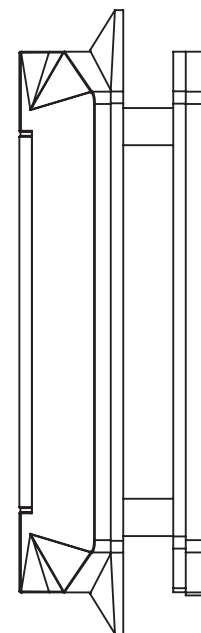
FRONT VIEW

TO ORDER SPECIFY:

- 130GP POLISHED FINISH
- 130GS SATIN FINISH



INSTALLED SAFETY CAP

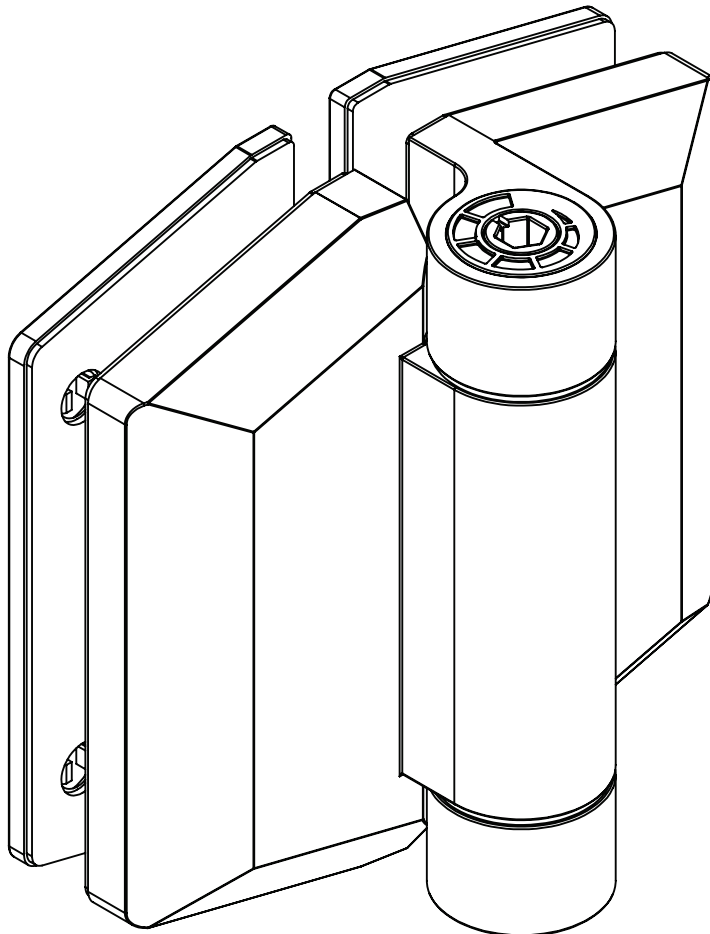


SIDE VIEW

RETRO FIT

# 155 SERIES POOL HINGE

## GLASS TO GLASS



### FINISHES AND FUNCTIONS

- 2205 GRADE STAINLESS STEEL
- 3 SURFACE FINISHES
- SIMPLE *QUIK-ADJUST* RATCHET SYSTEM
- SINGLE ACTION
- SOFT CLOSE
- NON-HOLD OPEN
- SAFETY CAP INCLUDED



8mm  
10mm  
12mm



MAX.  
900mm WIDE x  
1500mm HIGH



MAX 45kg



- 10°C  
+ 50°C

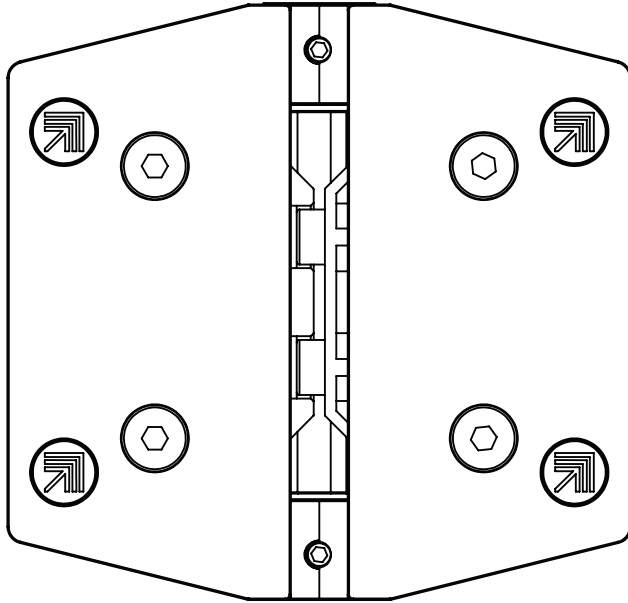


180°

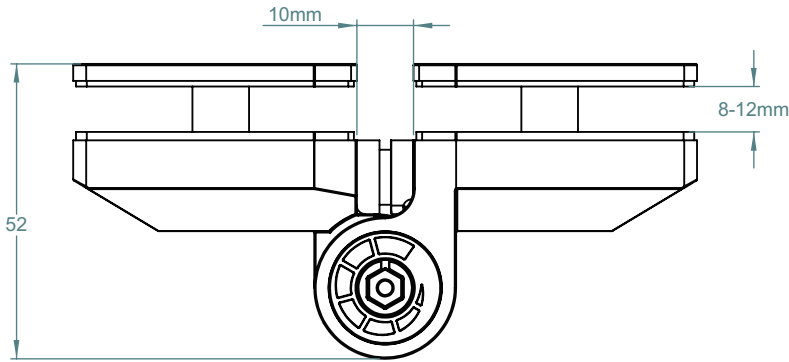
### 155 SERIES POOL HINGE

- SELF-CLOSING SAFETY HINGE FOR GLASS POOL FENCING
- TO BE USED WITH CHILD PROOF SAFETY LATCH
- COMPLIES WITH AUSTRALIAN STANDARDS FOR POOL GATE HARDWARE
- NATA ACCREDITED AND INDEPENDENTLY TESTED TO 25 000 CYCLES (NATA = NATIONAL ASSOCIATION OF TESTING AUTHORITIES AUSTRALIA)

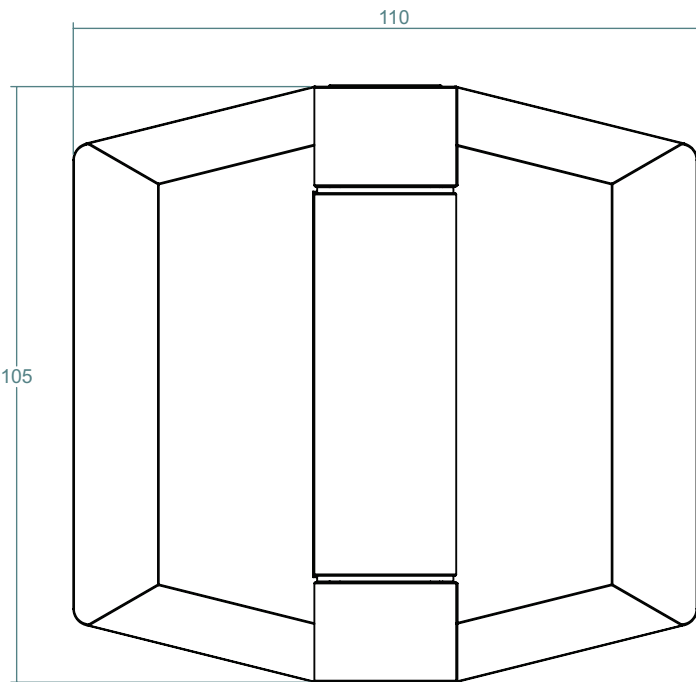
RETRO FIT



REAR VIEW



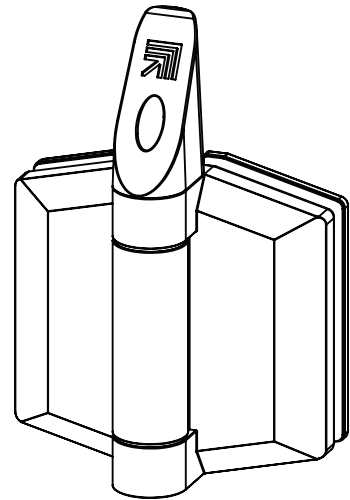
TOP VIEW



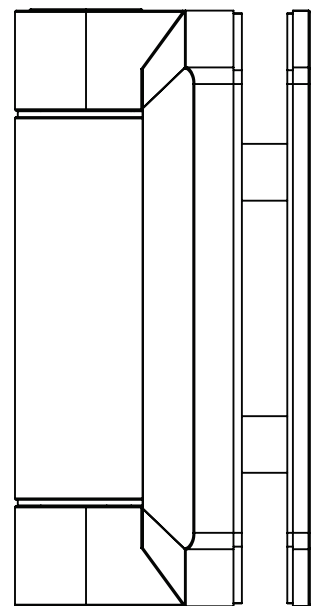
FRONT VIEW

TO ORDER SPECIFY:

- 155GP POLISHED FINISH
- 155GS SATIN FINISH
- 155GB BLACK FINISH



INSTALLED SAFETY CAP

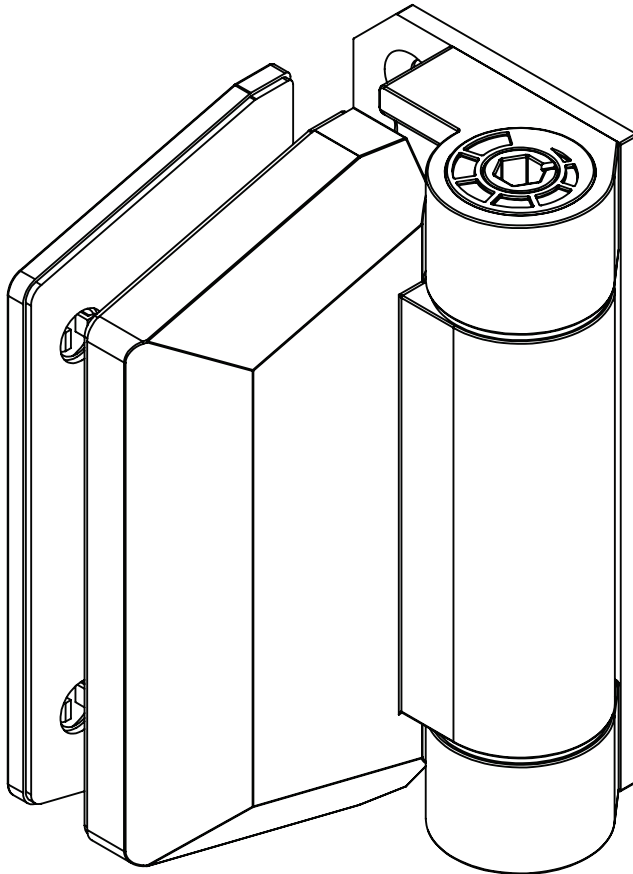


SIDE VIEW

RETRO FIT

# 155 SERIES POOL HINGE

## GLASS TO WALL/SQUARE POST



### FINISHES AND FUNCTIONS

- 2205 GRADE STAINLESS STEEL
- 3 SURFACE FINISHES
- SIMPLE *QUIK-ADJUST* RATCHET SYSTEM
- SINGLE ACTION
- SOFT CLOSE
- NON-HOLD OPEN
- SAFETY CAP INCLUDED



8mm  
10mm  
12mm



MAX.  
900mm WIDE x  
1500mm HIGH



MAX 45kg



- 10°C  
+ 50°C

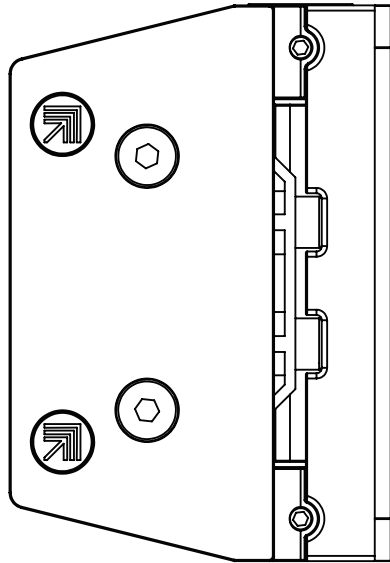


180°

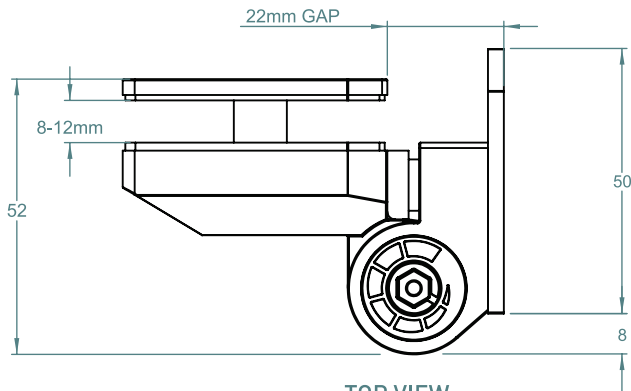
### 155 SERIES POOL HINGE

- SELF-CLOSING SAFETY HINGE FOR GLASS POOL FENCING
- TO BE USED WITH CHILD PROOF SAFETY LATCH
- COMPLIES WITH AUSTRALIAN STANDARDS FOR POOL GATE HARDWARE
- NATA ACCREDITED AND INDEPENDENTLY TESTED TO 25 000 CYCLES (NATA = NATIONAL ASSOCIATION OF TESTING AUTHORITIES AUSTRALIA)

RETRO FIT



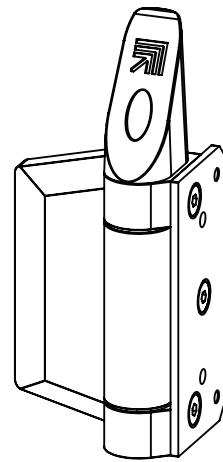
REAR VIEW



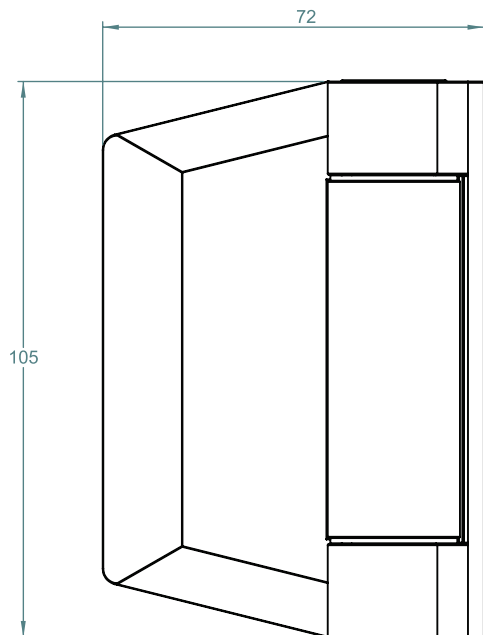
TOP VIEW

TO ORDER SPECIFY:

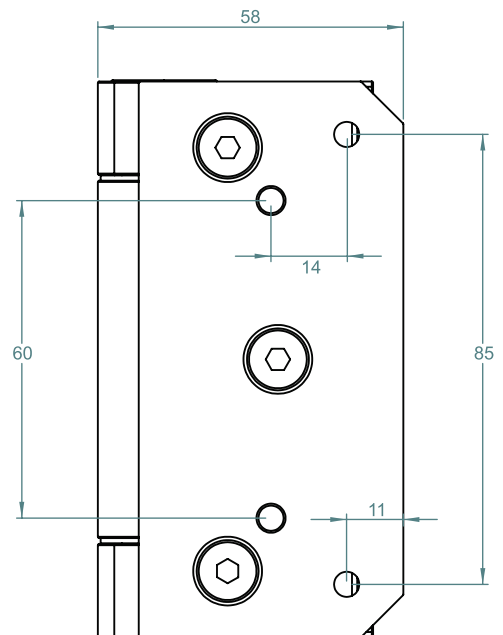
- 155WP POLISHED FINISH
- 155WS SATIN FINISH
- 155WB BLACK FINISH



INSTALLED SAFETY CAP



FRONT VIEW

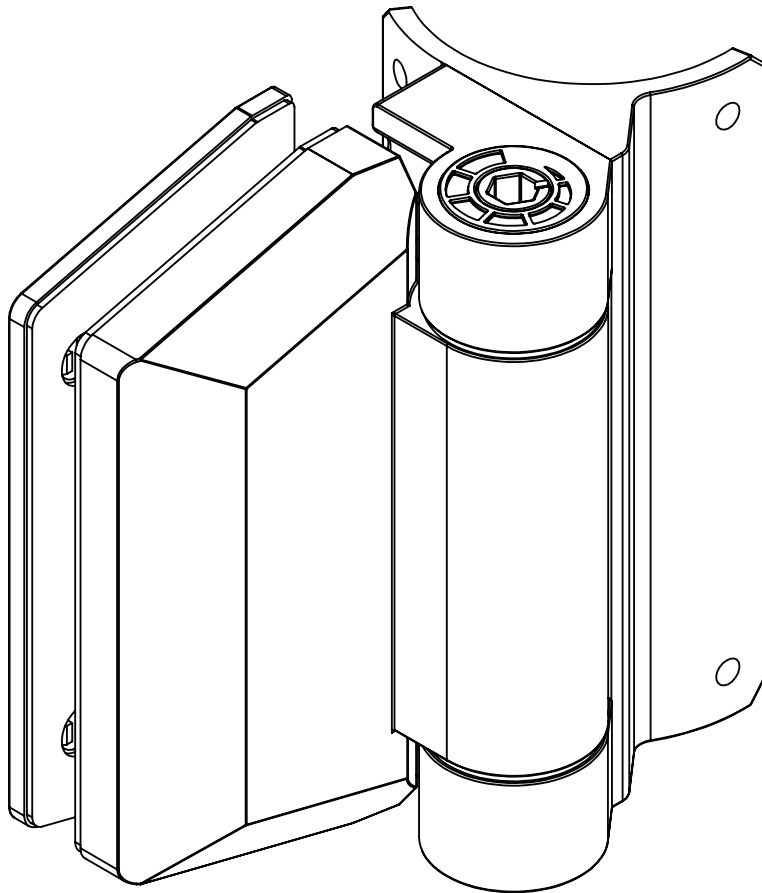


SIDE VIEW

RETRO FIT

# 155 SERIES POOL HINGE

## GLASS TO ROUND POST



### FINISHES AND FUNCTIONS

- 2205 GRADE STAINLESS STEEL
- 3 SURFACE FINISHES
- SIMPLE *QUIK-ADJUST* RATCHET SYSTEM
- SINGLE ACTION
- SOFT CLOSE
- NON-HOLD OPEN
- SAFETY CAP INCLUDED



8mm  
10mm  
12mm



MAX.  
900mm WIDE x  
1500mm HIGH



MAX 45kg



- 10°C  
+ 50°C



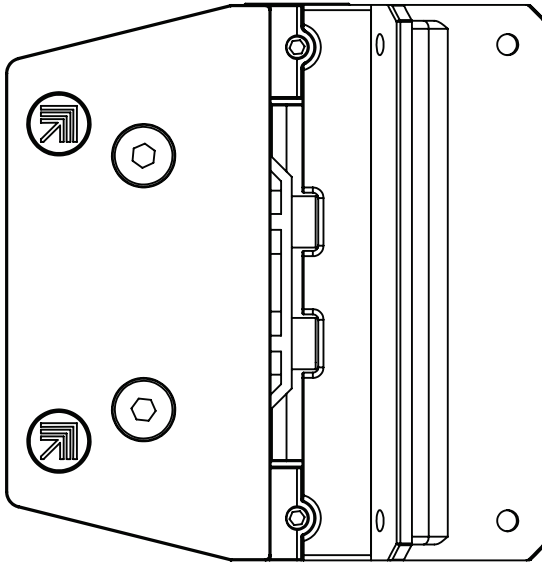
180°

### 155 SERIES POOL HINGE

- SELF-CLOSING SAFETY HINGE FOR GLASS POOL FENCING
- TO BE USED WITH CHILD PROOF SAFETY LATCH
- COMPLIES WITH AUSTRALIAN STANDARDS FOR POOL GATE HARDWARE
- NATA ACCREDITED AND INDEPENDENTLY TESTED TO 25 000 CYCLES (NATA = NATIONAL ASSOCIATION OF TESTING AUTHORITIES AUSTRALIA)



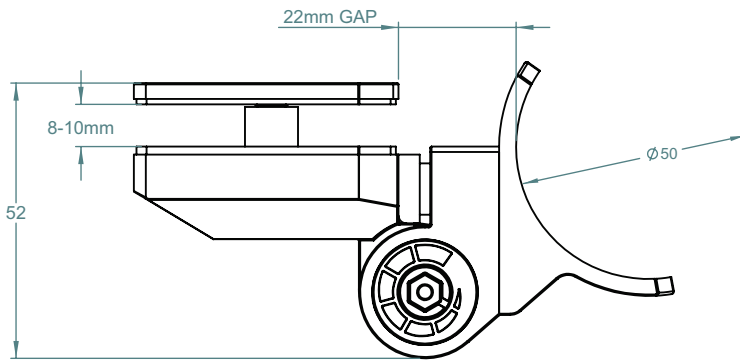
RETRO FIT



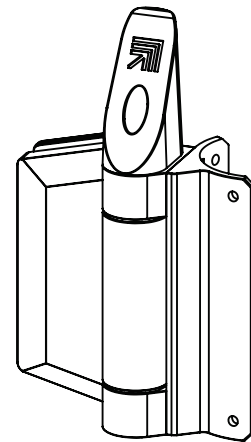
REAR VIEW

TO ORDER SPECIFY:

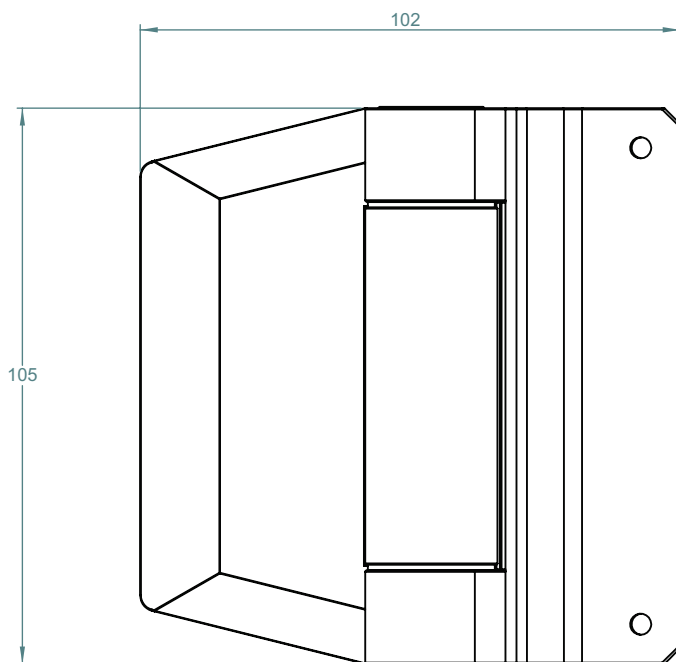
- 155RP POLISHED FINISH
- 155RS SATIN FINISH
- 155RB BLACK FINISH



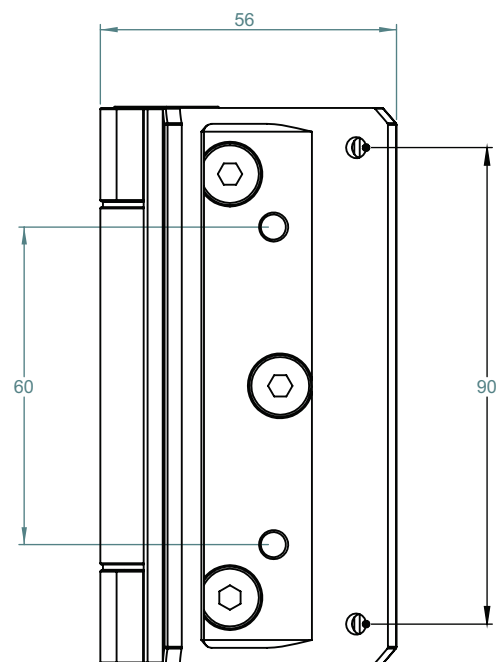
TOP VIEW



INSTALLED SAFETY CAP



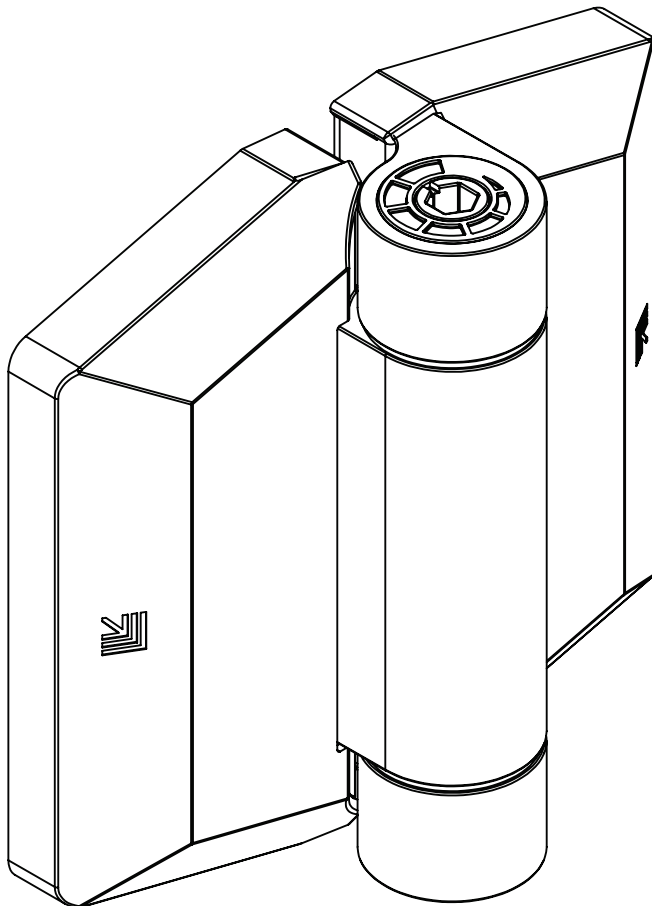
FRONT VIEW



SIDE VIEW

# 156 UTILITY HINGE

## SURFACE FIX



### 156 UTILITY HINGE


- SELF-CLOSING SAFETY HINGE FOR MANY FENCE TYPES
- NATA ACCREDITED AND INDEPENDENTLY TESTED TO 25 000 CYCLES (NATA = NATIONAL ASSOCIATION OF TESTING AUTHORITIES AUSTRALIA)

### FINISHES AND FUNCTIONS

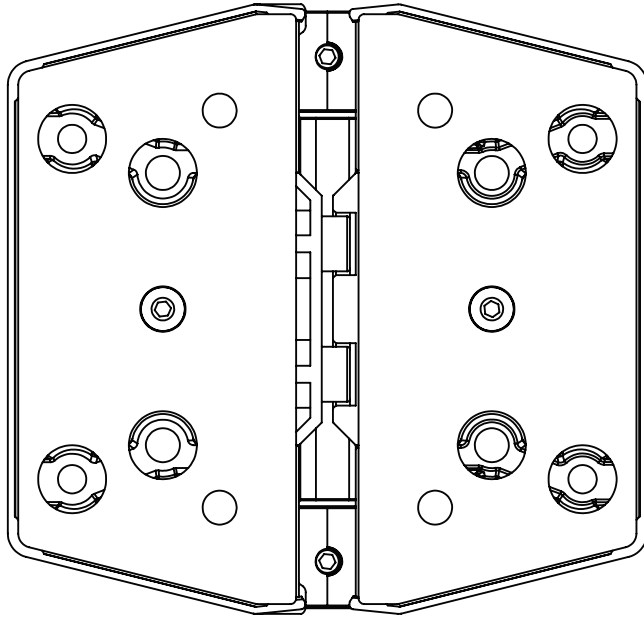
- 2205 GRADE STAINLESS STEEL
- FASTENER COVERS (PAINTABLE)
- SIMPLE *QUIK-ADJUST* RATCHET SYSTEM
- SINGLE ACTION
- SOFT CLOSE
- NON-HOLD OPEN

 **TIMBER  
METAL**

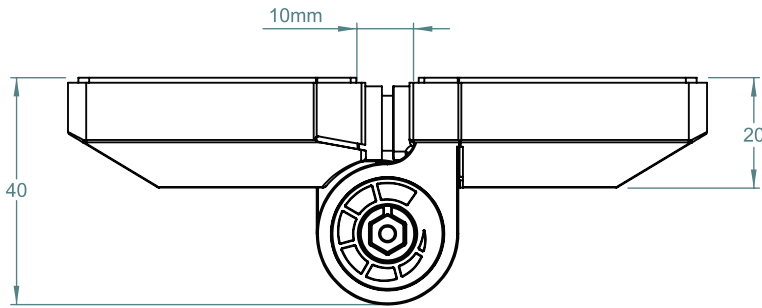
 **MAX 50kg**

 **- 10°C  
+ 50°C**

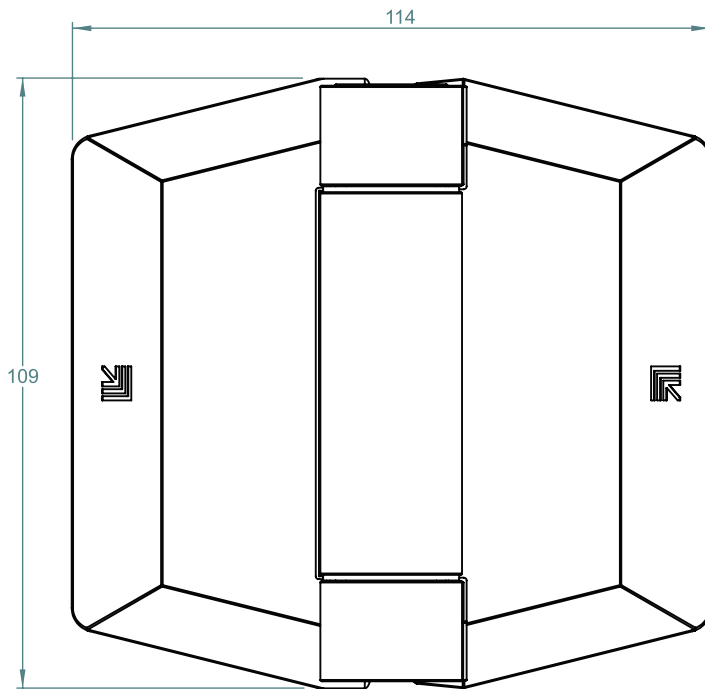
 **180°**



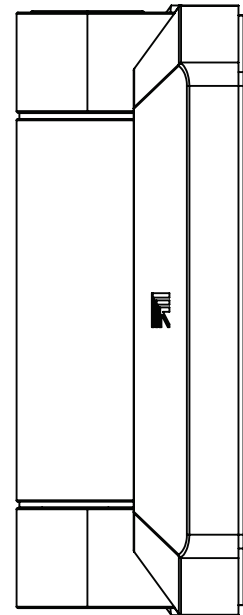
REAR VIEW



TOP VIEW



FRONT VIEW



SIDE VIEW

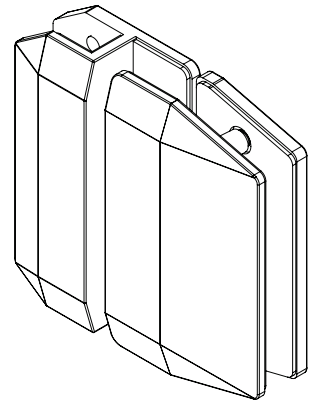
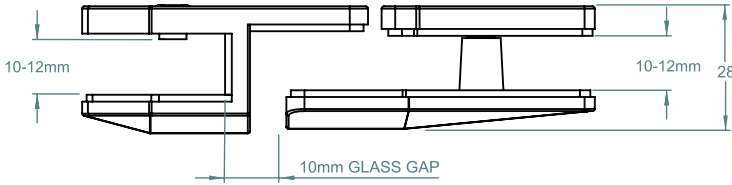
TO ORDER SPECIFY:

- 156SL STANDARD FINISH
- STAINLESS COVERS & VARIOUS ADAPTERS AVAILABLE SEPARATELY

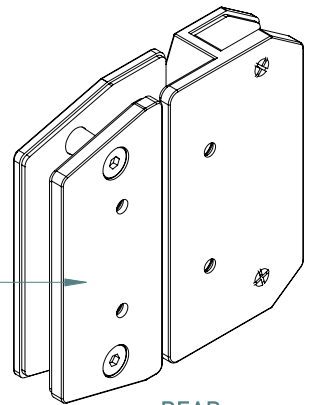
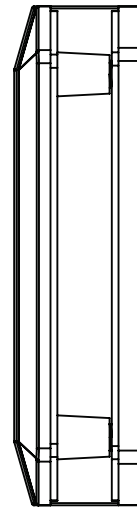
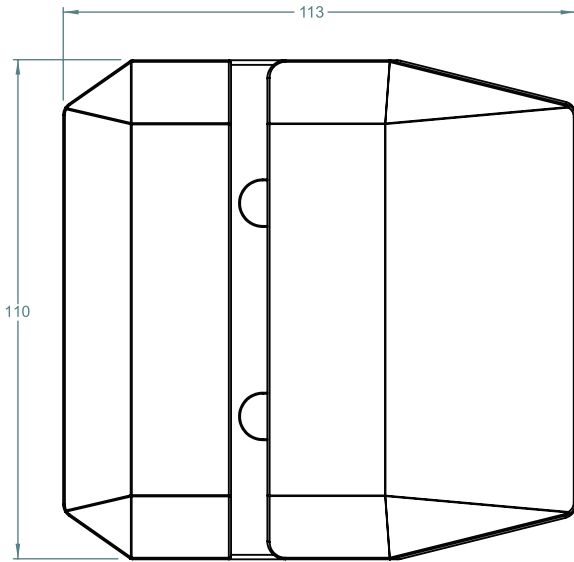
# LATCH GLASS TO GLASS 180°

TO ORDER SPECIFY:

**POLYMER SIDE PULL INC.**  
600GP POLISHED FINISH  
600GS SATIN FINISH  
600GB BLACK FINISH

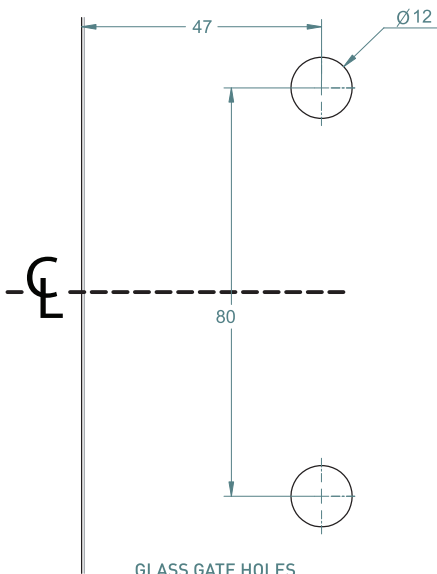


FRONT ISOMETRIC VIEW

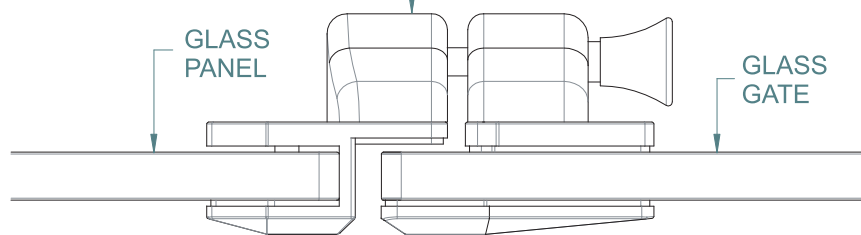


REAR ISOMETRIC VIEW

FITS SIDE PULLS:  
 \* NATIONWIDE INDUSTRIES  
 \* DOWNEE  
 \* D&D TECHNOLOGIES



GLASS GATE HOLES

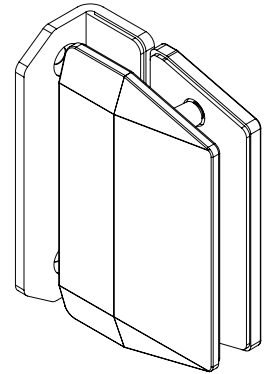
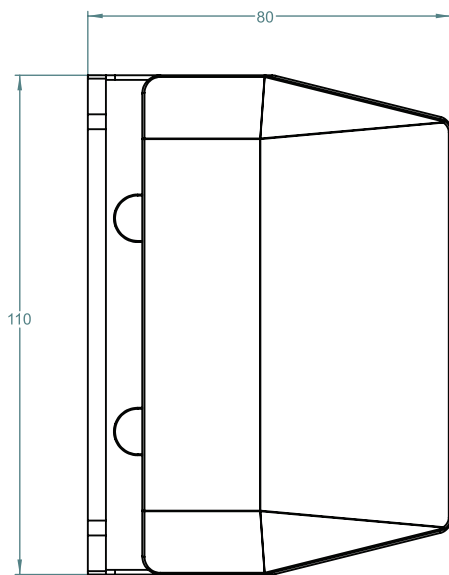
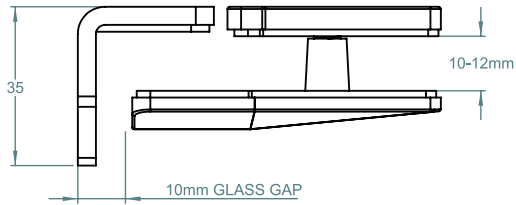


TOP VIEW

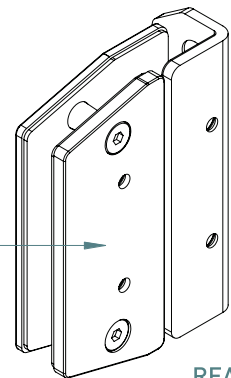
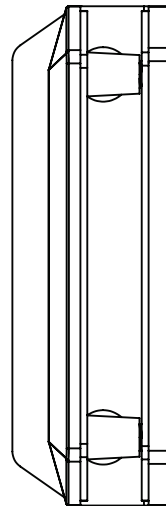
# LATCH GLASS TO WALL

TO ORDER SPECIFY:

**POLYMER SIDE PULL INC.**  
600WP POLISHED FINISH  
600WS SATIN FINISH  
600WB BLACK FINISH

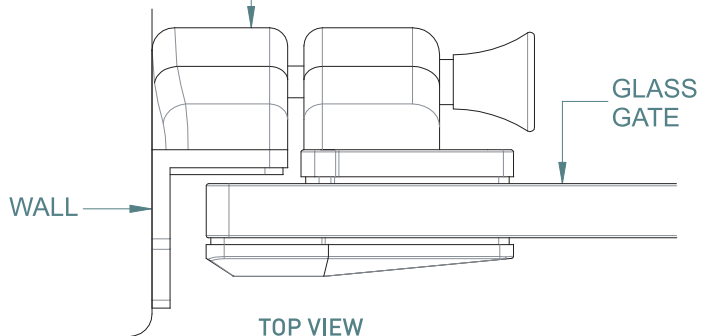
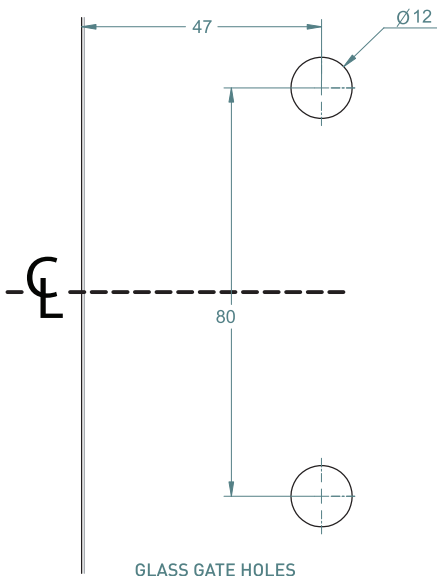


FRONT ISOMETRIC VIEW



REAR ISOMETRIC VIEW

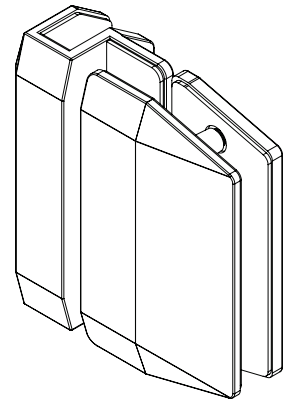
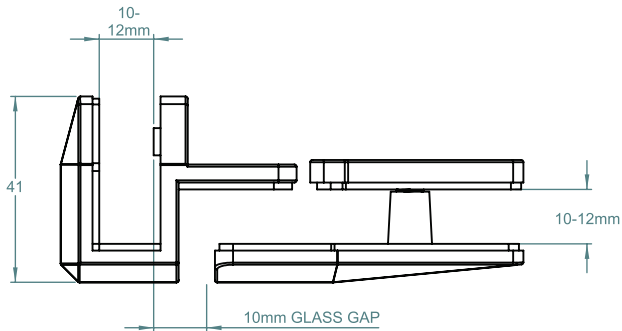
FITS SIDE PULLS:  
\* NATIONWIDE INDUSTRIES  
\* DOWNEE  
\* D&D TECHNOLOGIES



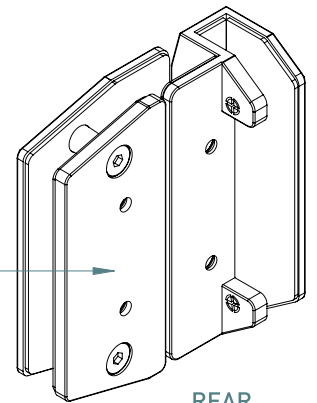
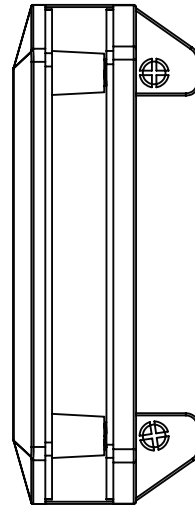
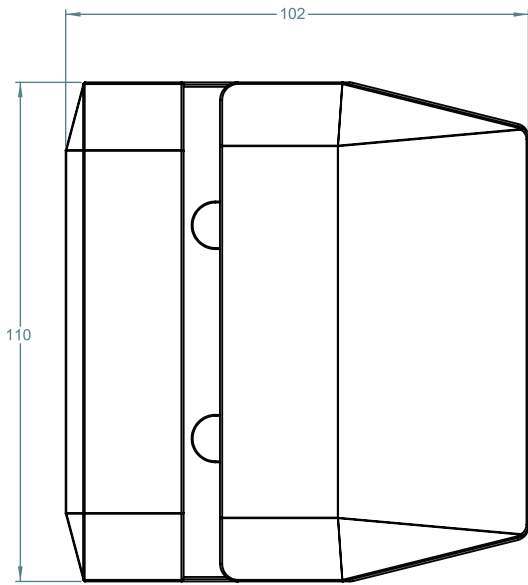
# LATCH GLASS TO GLASS 90°

TO ORDER SPECIFY:

**POLYMER SIDE PULL INC.**  
600G90P POLISHED FINISH  
600G90S SATIN FINISH  
600G90B BLACK FINISH

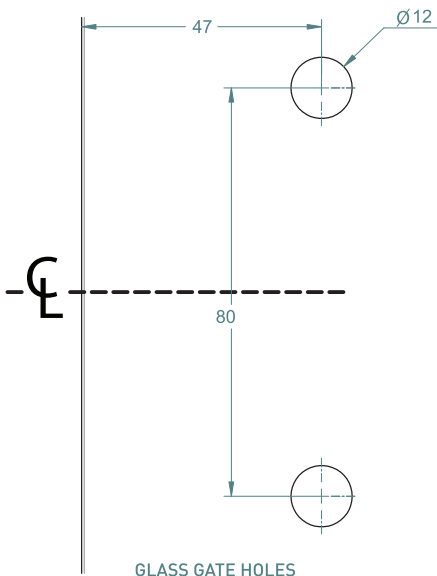


FRONT ISOMETRIC VIEW

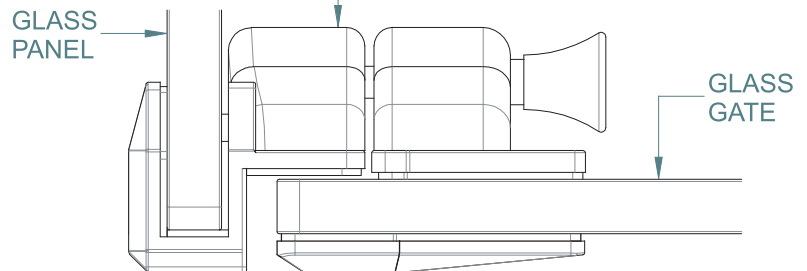


REAR ISOMETRIC VIEW

FITS SIDE PULLS:  
 \* NATIONWIDE INDUSTRIES  
 \* DOWNEE  
 \* D&D TECHNOLOGIES



GLASS GATE HOLES

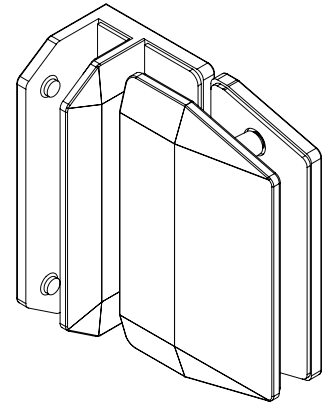
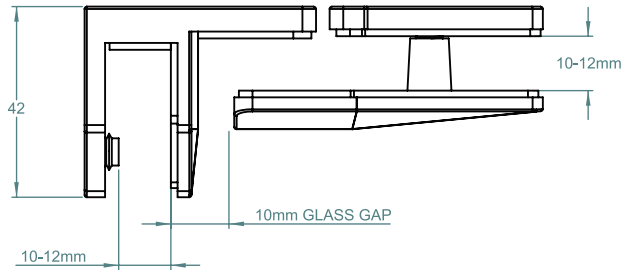


TOP VIEW

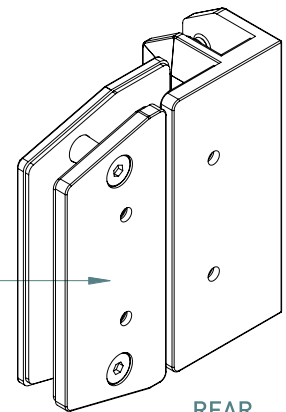
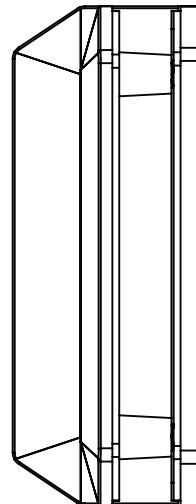
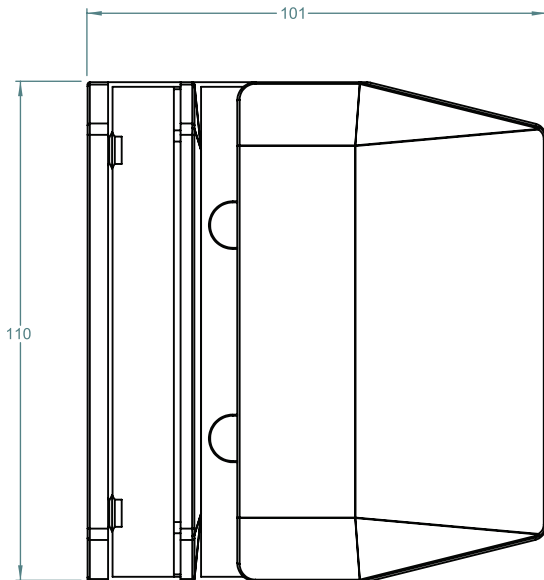
# LATCH GLASS TO GLASS REVERSE 90°

TO ORDER SPECIFY:

**POLYMER SIDE PULL INC.**  
600G90RP POLISHED FINISH  
600G90RS SATIN FINISH  
600G90RB BLACK FINISH

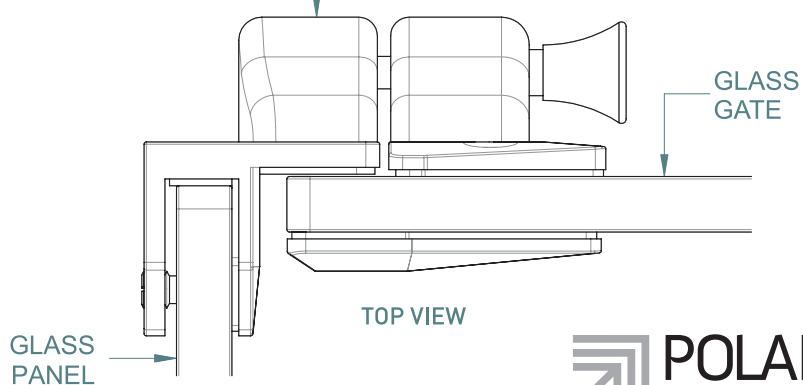
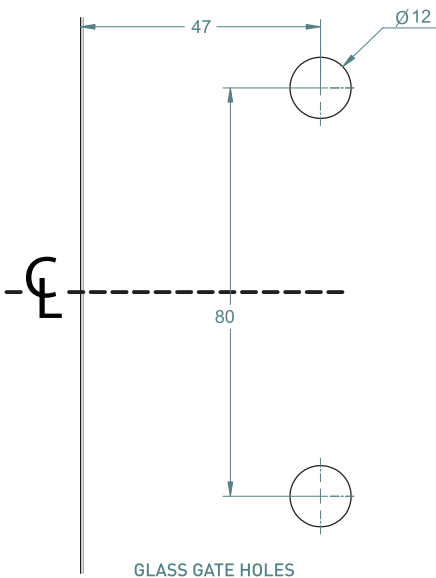


FRONT ISOMETRIC VIEW



REAR ISOMETRIC VIEW

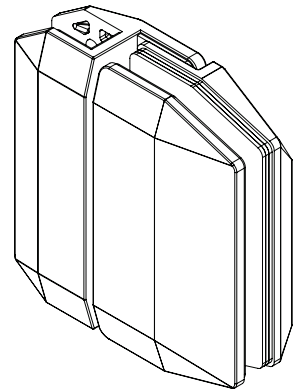
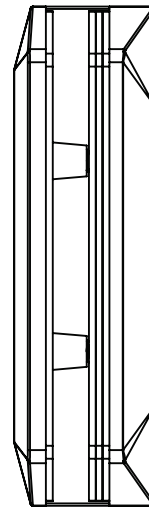
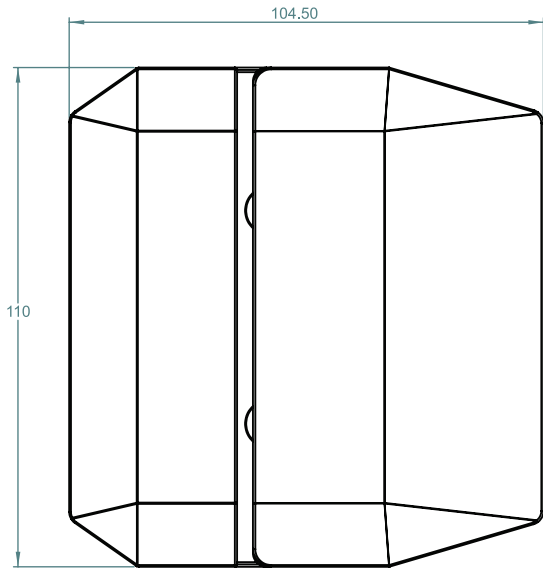
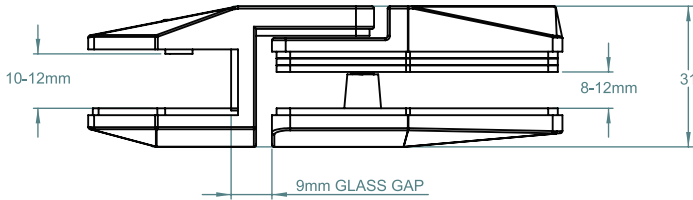
FITS SIDE PULLS:  
\* NATIONWIDE INDUSTRIES  
\* DOWNEE  
\* D&D TECHNOLOGIES



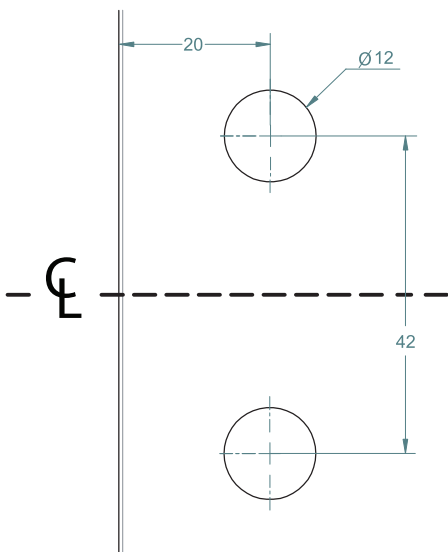
# RETROFIT LATCH GLASS TO GLASS 180°

TO ORDER SPECIFY:

**POLYMER SIDE PULL INC.**  
700GP POLISHED FINISH  
700GS SATIN FINISH  
700GB BLACK FINISH

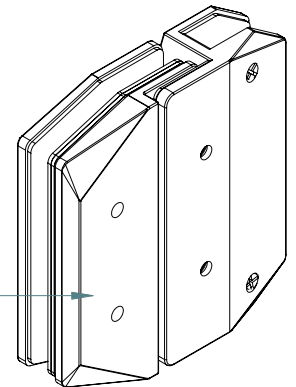


FRONT ISOMETRIC VIEW

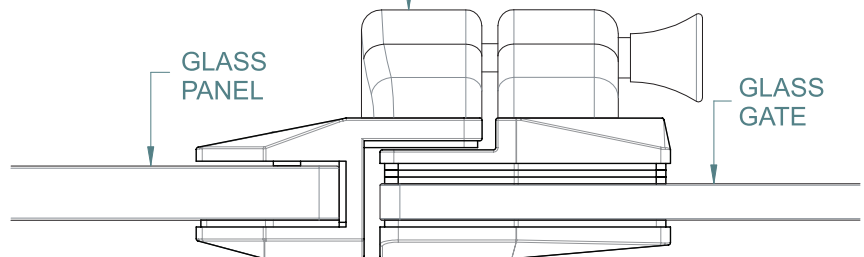


GLASS GATE HOLES

FITS SIDE PULLS:  
\* NATIONWIDE INDUSTRIES  
\* DOWNEE  
\* D&D TECHNOLOGIES



REAR ISOMETRIC VIEW



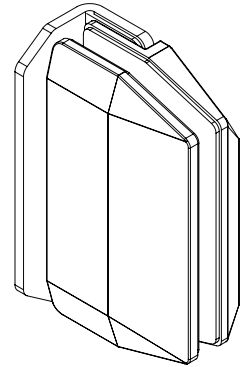
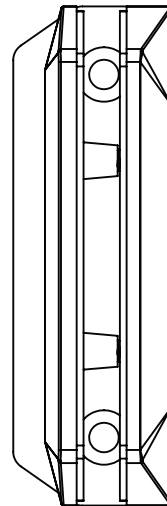
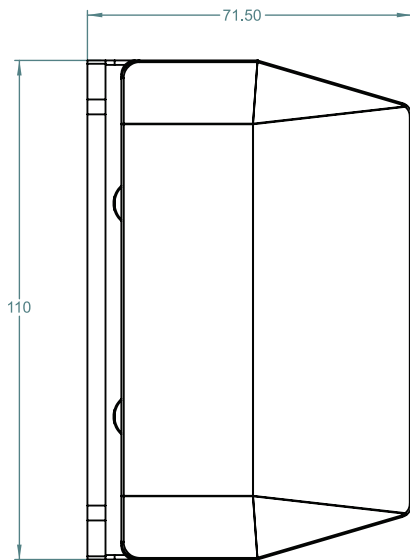
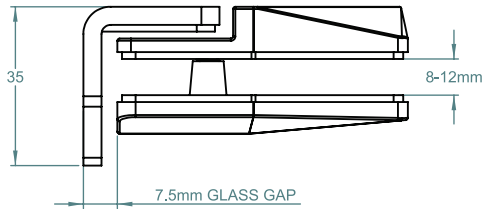
TOP VIEW



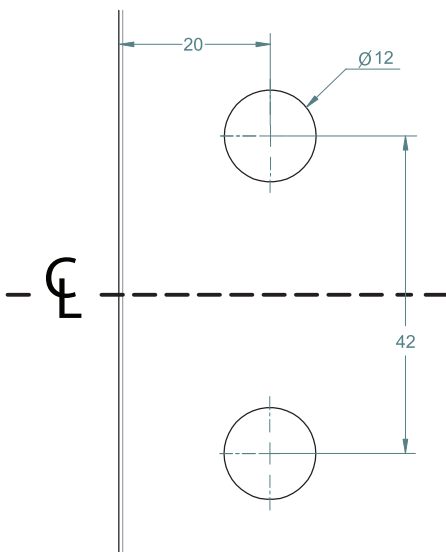
# RETROFIT LATCH GLASS TO WALL

TO ORDER SPECIFY:

**POLYMER SIDE PULL INC.**  
700WP POLISHED FINISH  
700WS SATIN FINISH  
700WB BLACK FINISH

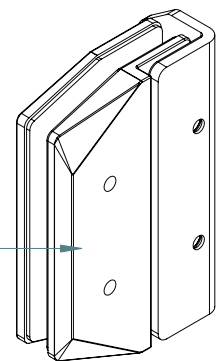


FRONT  
ISOMETRIC VIEW

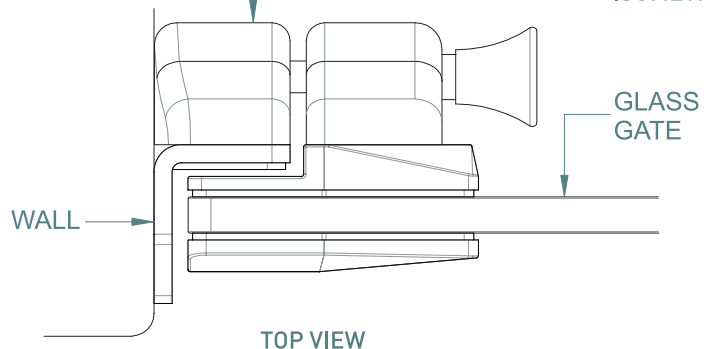


GLASS GATE HOLES

FITS SIDE PULLS:  
\* NATIONWIDE INDUSTRIES  
\* DOWNEE  
\* D&D TECHNOLOGIES



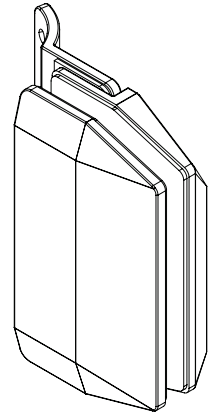
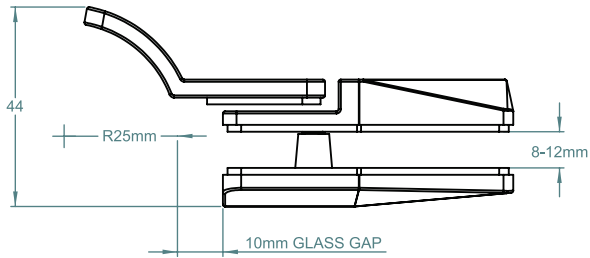
REAR  
ISOMETRIC VIEW



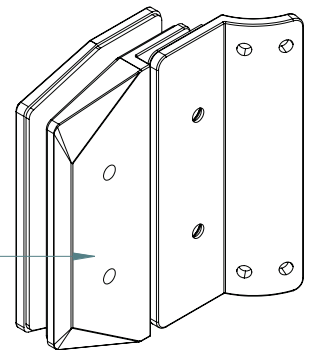
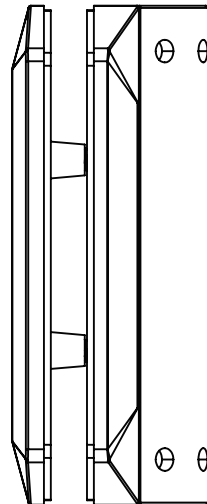
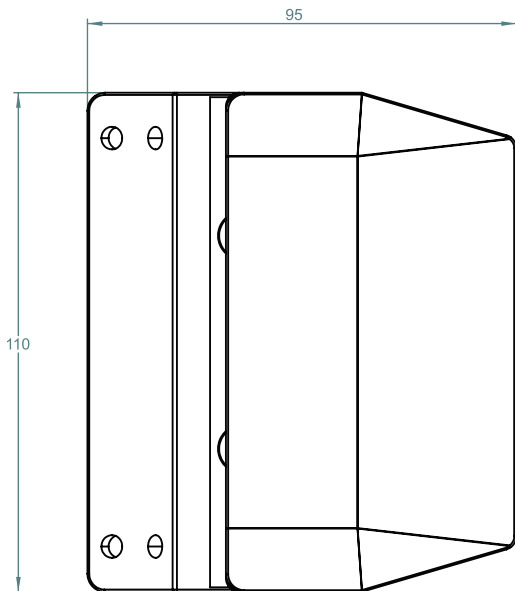
# RETROFIT LATCH GLASS TO ROUND POST

TO ORDER SPECIFY:

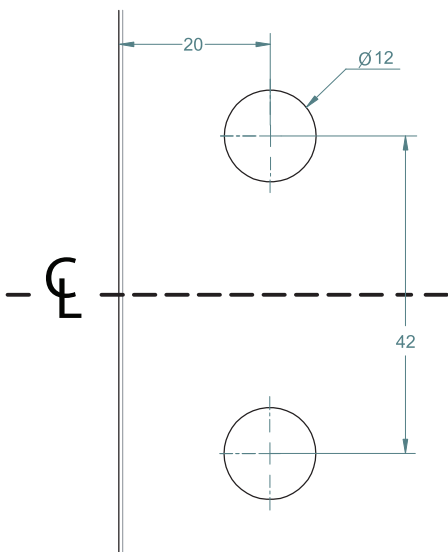
**POLYMER SIDE PULL INC.**  
700RP POLISHED FINISH  
700RS SATIN FINISH  
700RB BLACK FINISH



FRONT ISOMETRIC VIEW

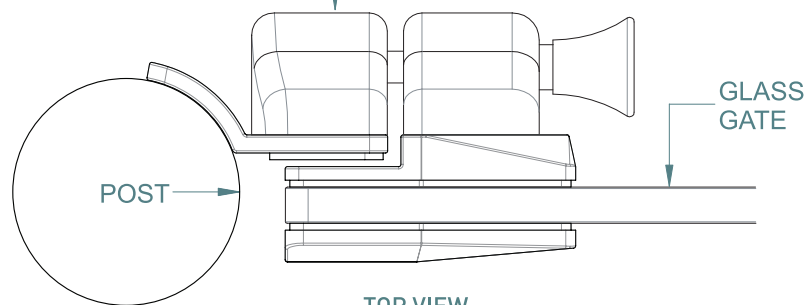


REAR ISOMETRIC VIEW



GLASS GATE HOLES

FITS SIDE PULLS:  
\* NATIONWIDE INDUSTRIES  
\* DOWNEE  
\* D&D TECHNOLOGIES

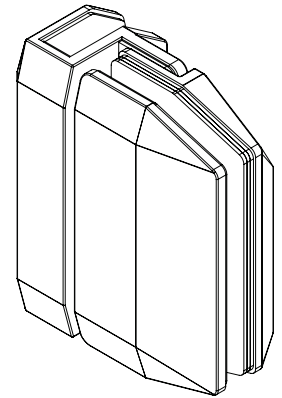
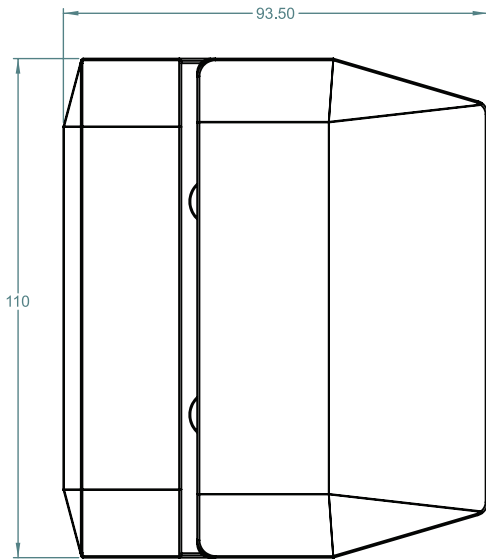
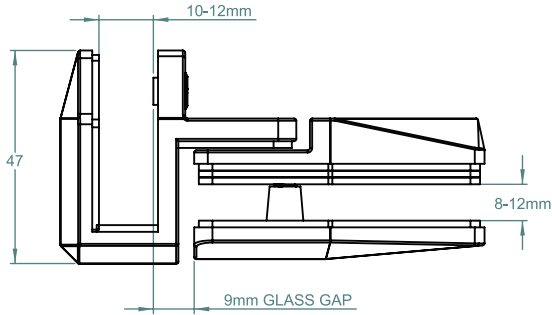


TOP VIEW

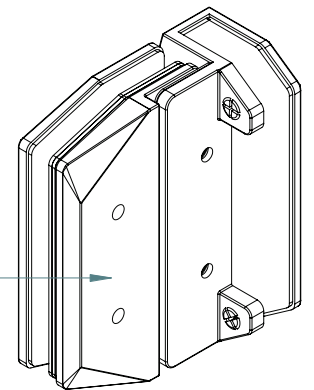
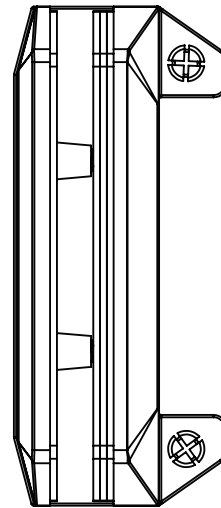
# RETROFIT LATCH GLASS TO GLASS 90°

TO ORDER SPECIFY:

**POLYMER SIDE PULL INC.**  
700G90P POLISHED FINISH  
700G90S SATIN FINISH  
700G90B BLACK FINISH

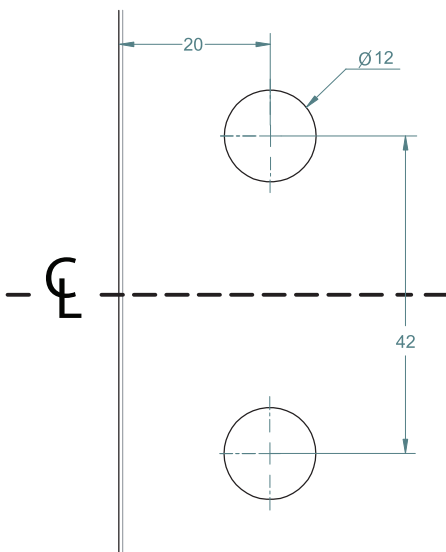


FRONT ISOMETRIC VIEW

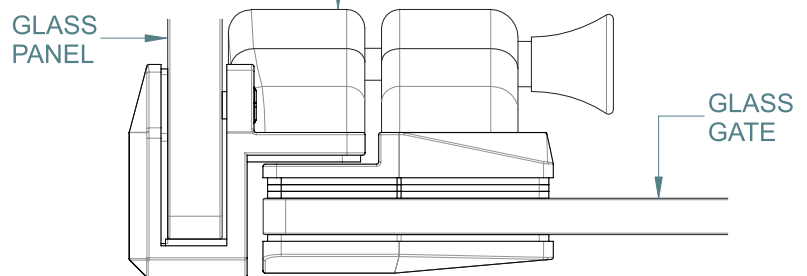


REAR ISOMETRIC VIEW

FITS SIDE PULLS:  
 \* NATIONWIDE INDUSTRIES  
 \* DOWNEE  
 \* D&D TECHNOLOGIES



GLASS GATE HOLES

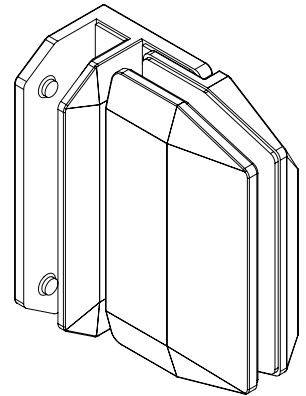
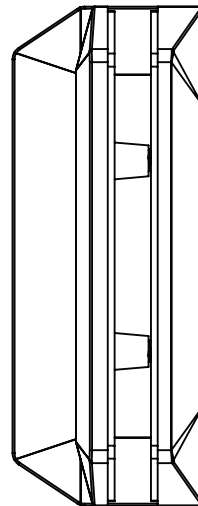
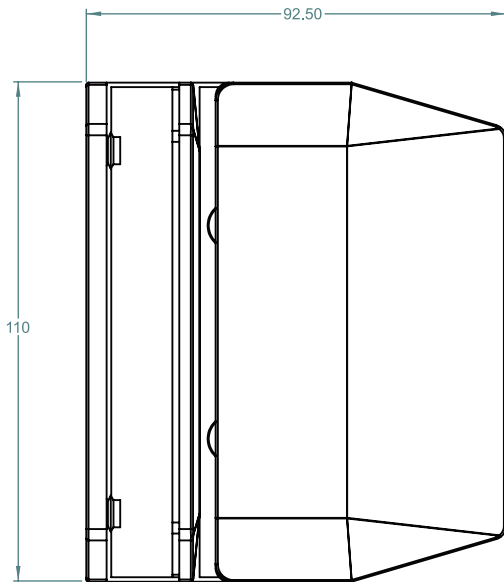
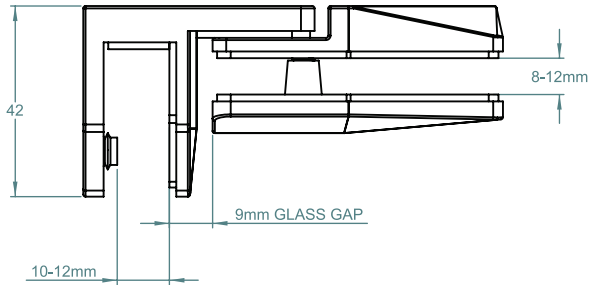


TOP VIEW

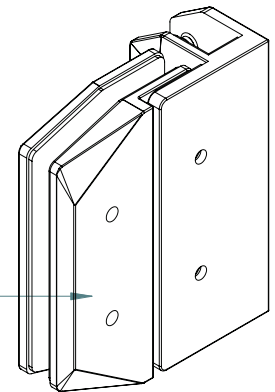
# RETROFIT LATCH GLASS TO GLASS 90° REVERSE

TO ORDER SPECIFY:

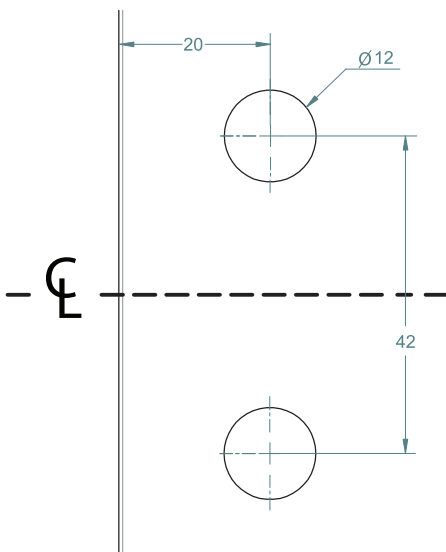
**POLYMER SIDE PULL INC.**  
700G90RP POLISHED FINISH  
700G90RS SATIN FINISH  
700G90RB BLACK FINISH



FRONT ISOMETRIC VIEW

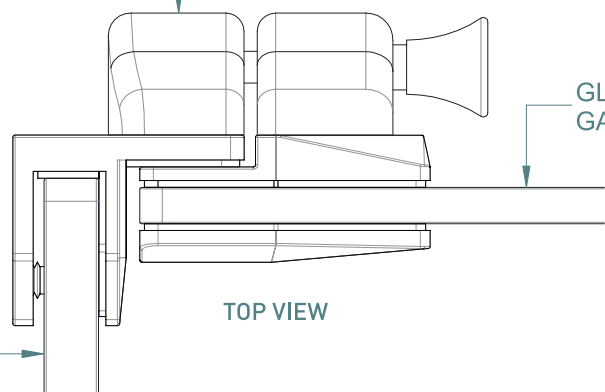


REAR ISOMETRIC VIEW

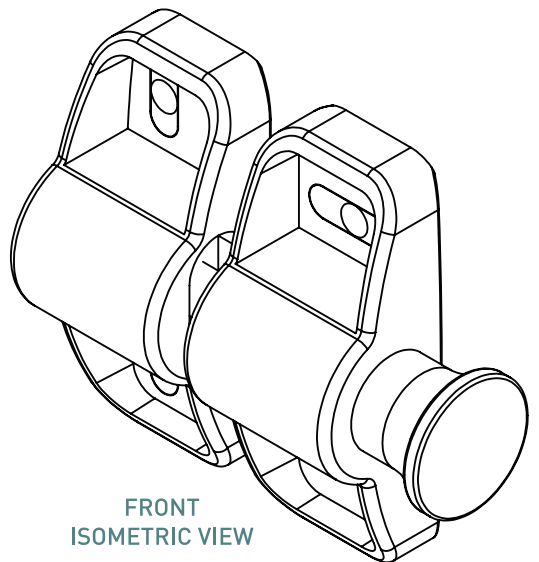
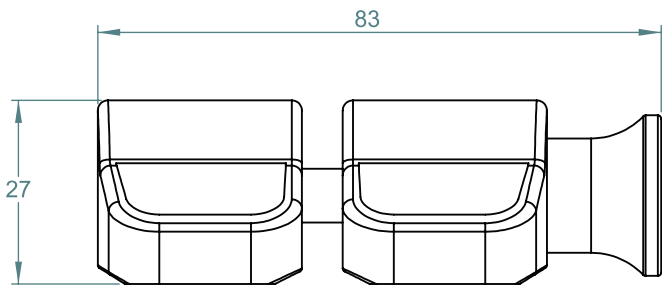
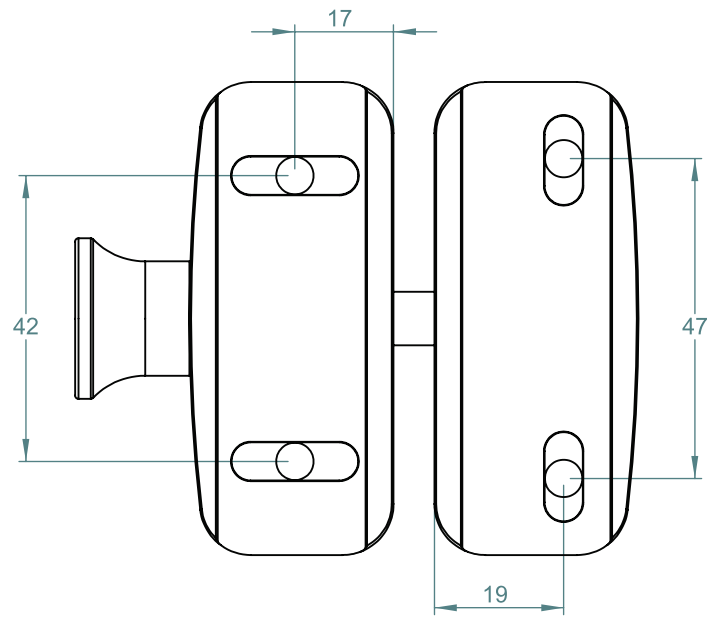
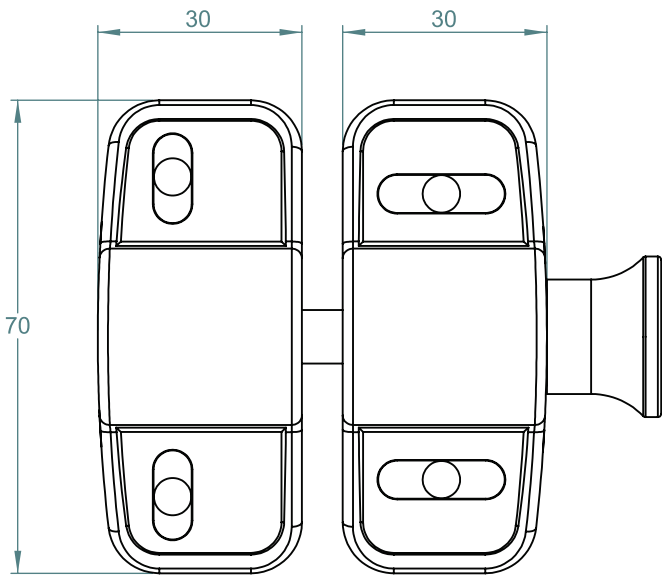


GLASS GATE HOLES

FITS SIDE PULLS:  
\* NATIONWIDE INDUSTRIES  
\* DOWNEE  
\* D&D TECHNOLOGIES



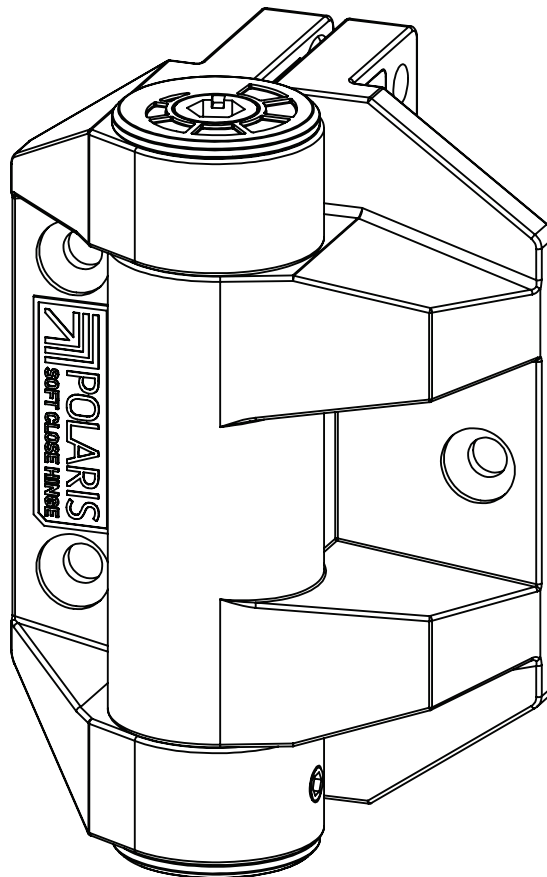
# POLYMER SIDE PULL LATCH



FRONT ISOMETRIC VIEW

# POLY HINGE

## SOFT CLOSE SPRING HINGE



### FINISHES AND FUNCTIONS

- HEAVY DUTY  
GLASS FILLED NYLON
- MATT BLACK
- SIMPLE *QUIK-ADJUST*  
RATCHET SYSTEM
- SOFT CLOSE
- NON-HOLD OPEN
- ADJUSTABLE SPRING  
FORCE



MAX 20kg



- 10°C  
+ 50°C

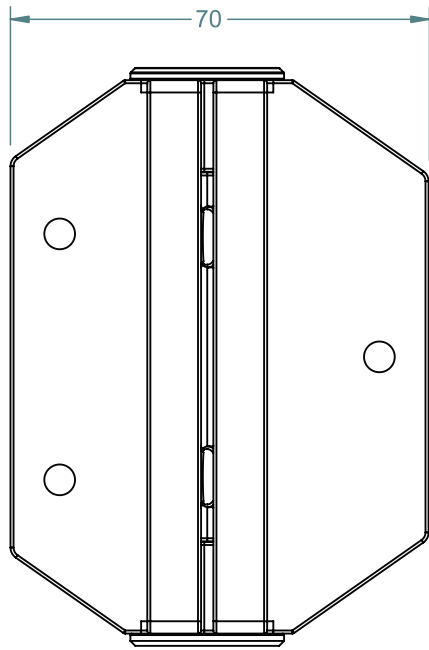


170°

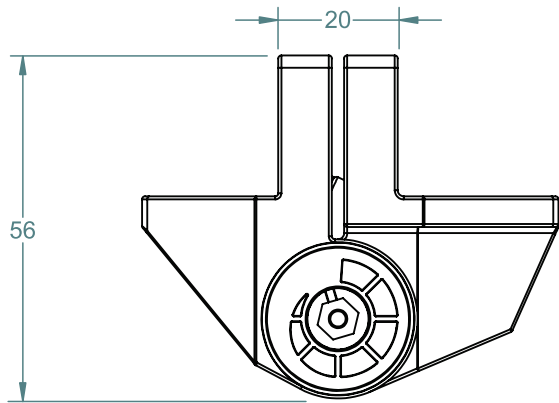
### POLY HINGE ADVANTAGES

- SELF-CLOSING SAFETY HINGE FOR LIGHT WEIGHT POOL FENCING
- TO BE USED WITH CHILD PROOF SAFETY LATCH
- COMPLIES WITH AUSTRALIAN STANDARDS FOR POOL GATE HARDWARE
- NATA ACCREDITED AND INDEPENDENTLY TESTED TO 25 000 CYCLES  
(NATA = NATIONAL ASSOCIATION OF TESTING AUTHORITIES AUSTRALIA)

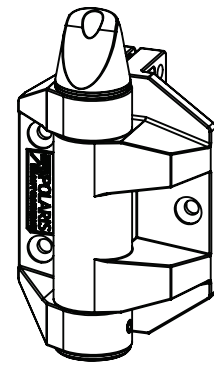
RETRO FIT



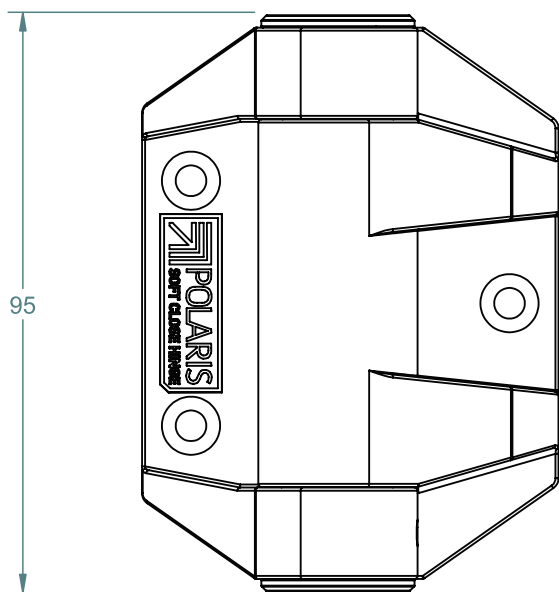
REAR VIEW



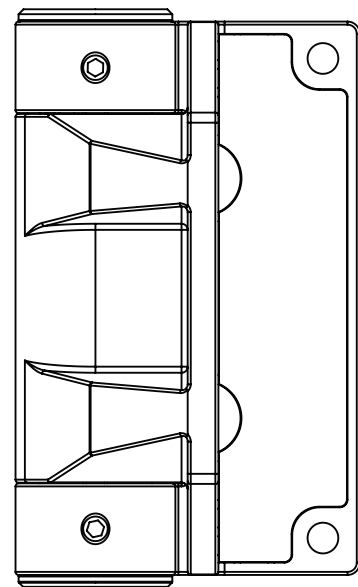
TOP VIEW



INSTALLED SAFETY CAP

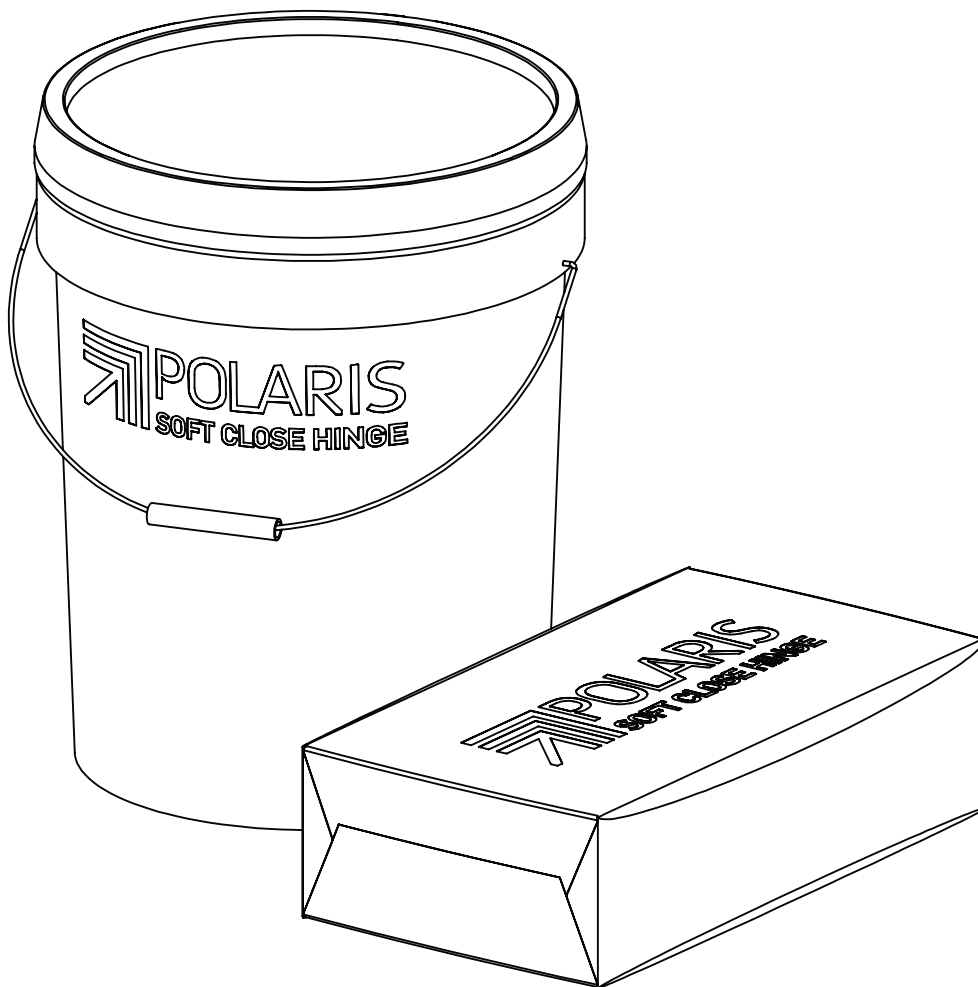


FRONT VIEW



SIDE VIEW

# SPIGOT & CHANNEL GROUT ANCHORING CEMENT



## APPLICATIONS

- SPIGOTS & CHANNEL FIXINGS
- CEMENTITIOUS GROUTING WHERE PARTICULAR RAPID SET TIMES ARE REQUIRED
- ANCHORING FASTENERS, BARS & FITTINGS



20 Kg BUCKET  
10 Kg BAG



**MIX RATIO**  
30% WATER



**WET DENSITY**  
2.0g/cm<sup>3</sup>



**SEGREGATION  
/BLEED**  
NONE



**SMOOTH SELF  
LEVELLING  
FINISH**

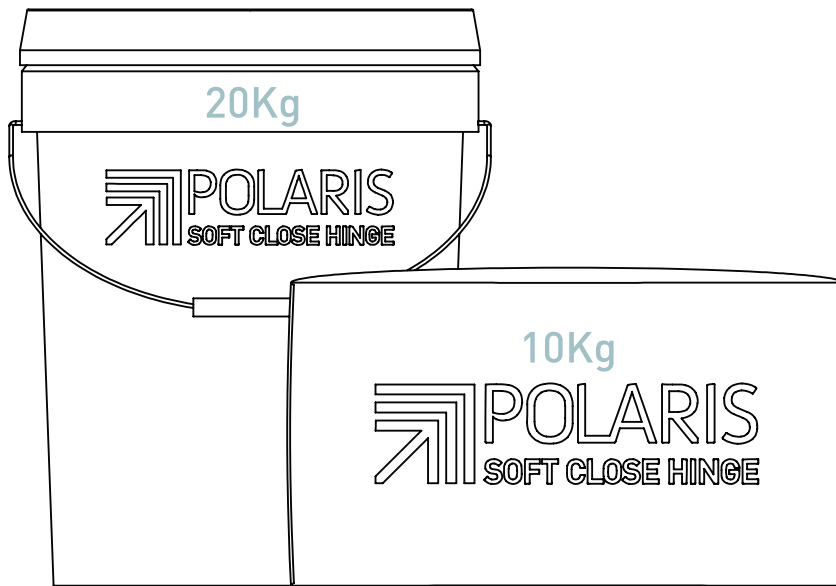


**STRENGTH**  
50 Mpa



**TYPICAL SET  
TIME**  
15 - 20 min  
@ 25°C





FRONT VIEW

## TO ORDER SPECIFY:

- PAC PER 20Kg BUCKET\*  
\*EACH BUCKET CONTAINS  
2x 10Kg BAGS
- QSB PER 10Kg BAG

## PROPERTIES

- SPECIFICALLY FORMULATED FOR GLASS INDUSTRY APPLICATIONS
- AGGREGATE FREE
- RAPID STRENGTH GAIN FACILITATES FOR A RAPID INSTALLATION
- READY TO USE, PRE-MIXED FORMULA, ONLY WATER REQUIRED
- CAN BE MIXED FOR STIFF, MALLEABLE, FLOWABLE OR FLUID APPLICATION
- DUAL EXPANSION COMPENSATES FOR SHRINKAGE IN PLASTIC & HARDENED STATES
- LOWER WATER/CEMENT RATIO REDUCES DRYING SHRINKAGE, INCREASES DURABILITY AND ALSO REDUCES PERMEABILITY

THE GROUT HAS VARYING FACTORS THAT EFFECT THE SET TIME.  
ALL TIMES ARE AN ESTIMATED GUIDE ONLY.

### FACTORS TO CONSIDER WHEN USING THE GROUT:

- AMBIENT AIR TEMPERATURE
- WATER TEMPERATURE
- WATER VOLUME
- GROUT POWDER TEMPERATURE
- MIX QUANTITY (LARGER AMOUNTS ACTUAL SPEED UP SET TIME)

#### SET TIMES

10 - 15 min @ 35°C  
15 - 20 min @ 25°C  
30 - 40 min @ 10°C

SET TIMES ARE BASED ON THE AIR,  
WATER AND POWDER TEMPERATURES  
BEING AT 22°C AND THE VOLUME BEING  
MIXED IS A 5KG BATCH

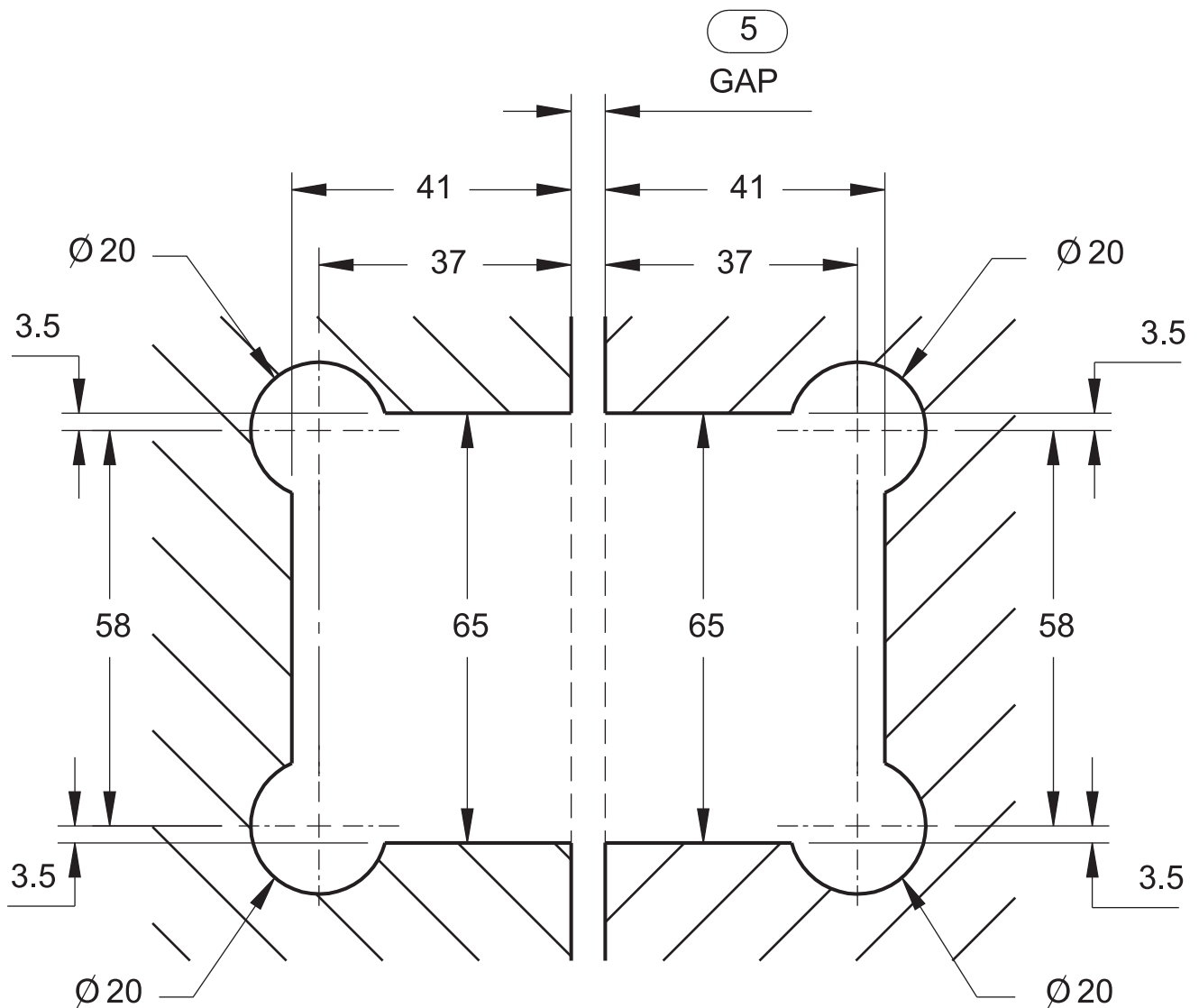
#### STRENGTH TIMES

10 MPa @ 2 hours  
30 MPa @ 24 hours  
40 MPa @ 7 days  
50 MPa @ 28 days

# GLASS PREPARATION

## 125 HINGE

### GLASS TO GLASS

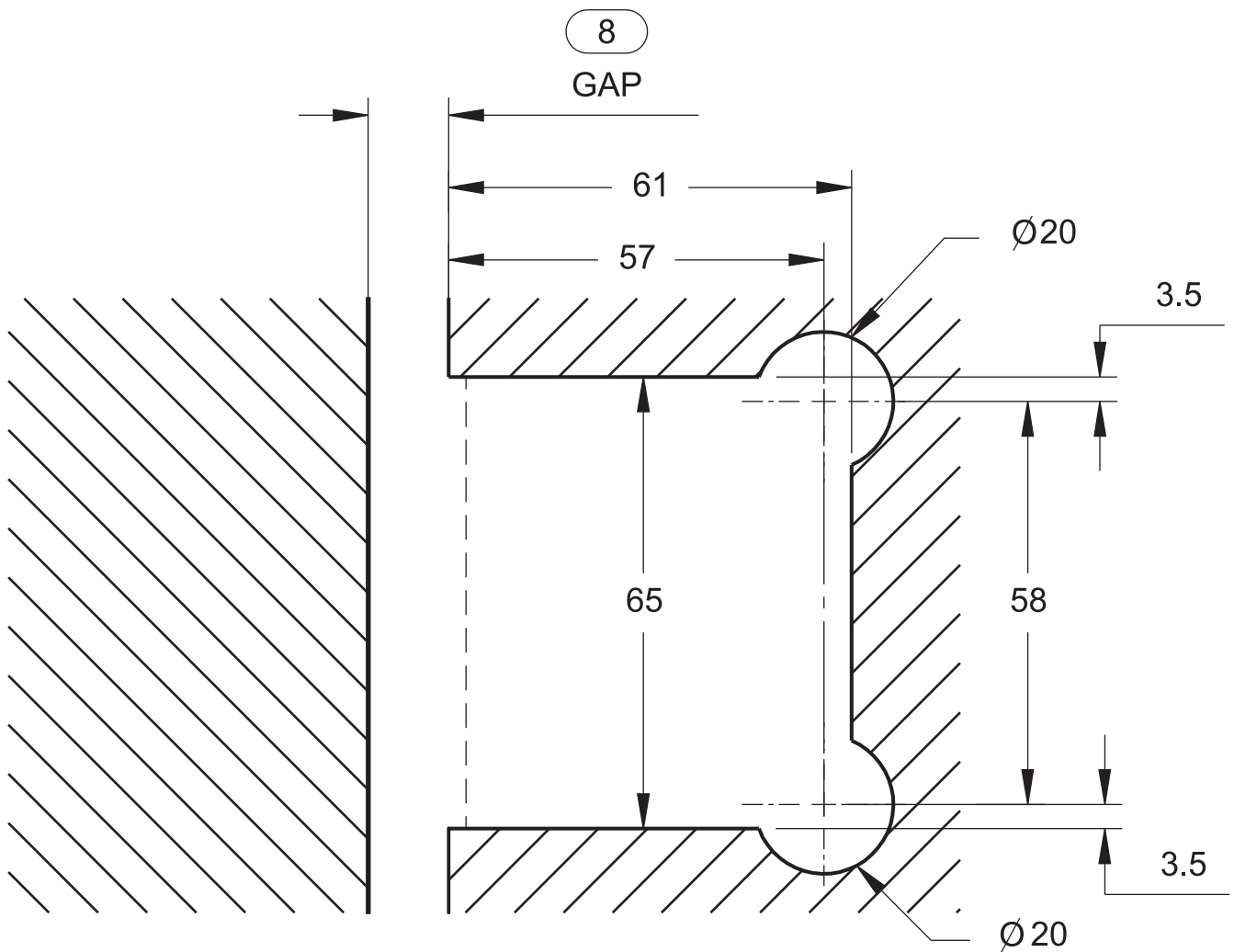


GLASS CUT-OUT TOP AND BOTTOM  
(ALL DIMENSIONS IN MILLIMETERS)

# GLASS PREPARATION

## 125 HINGE

### GLASS TO WALL/POSTS

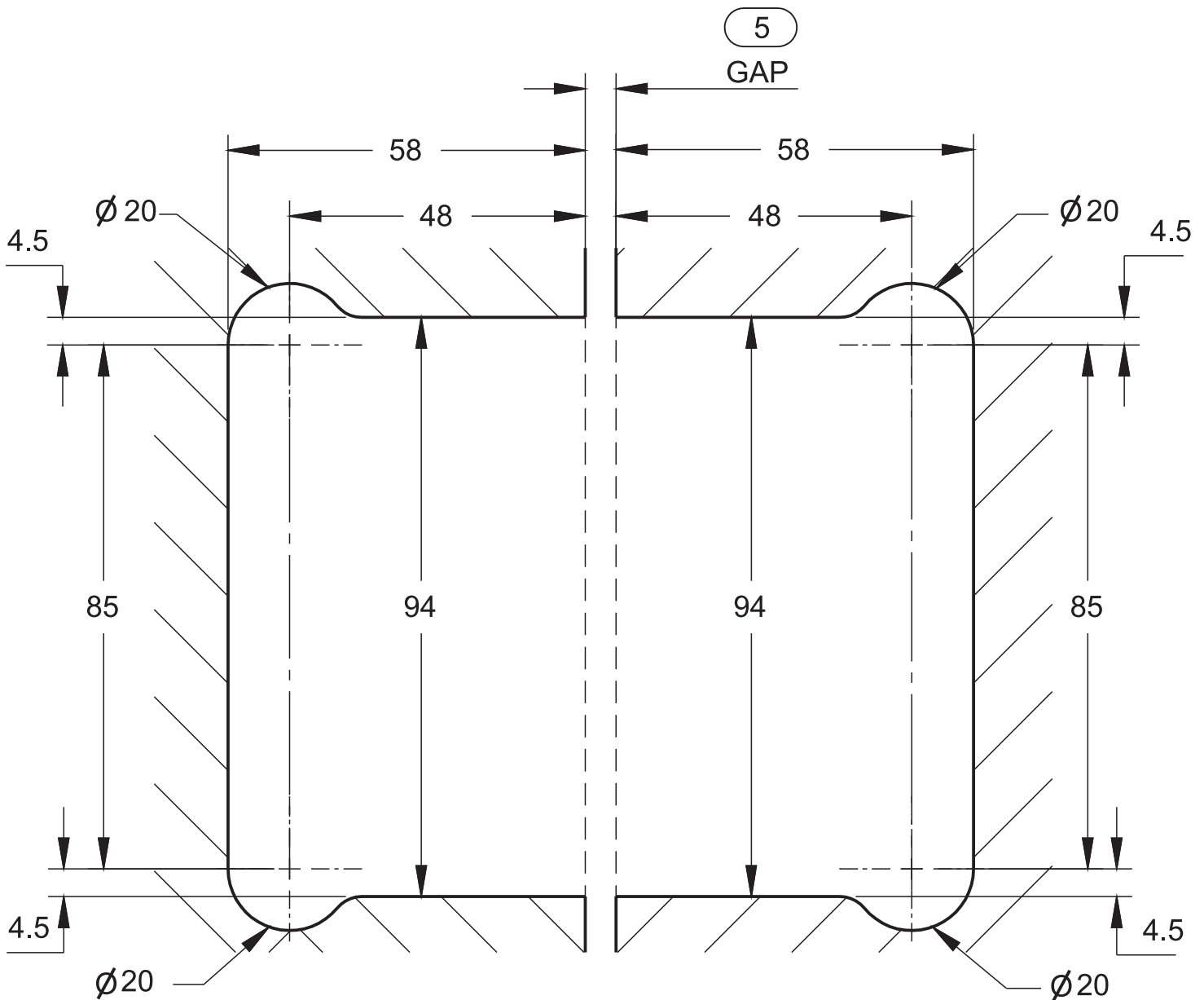


GLASS CUT-OUT TOP AND BOTTOM  
(ALL DIMENSIONS IN MILLIMETERS)

# GLASS PREPARATION

## 130 HINGE

### GLASS TO GLASS

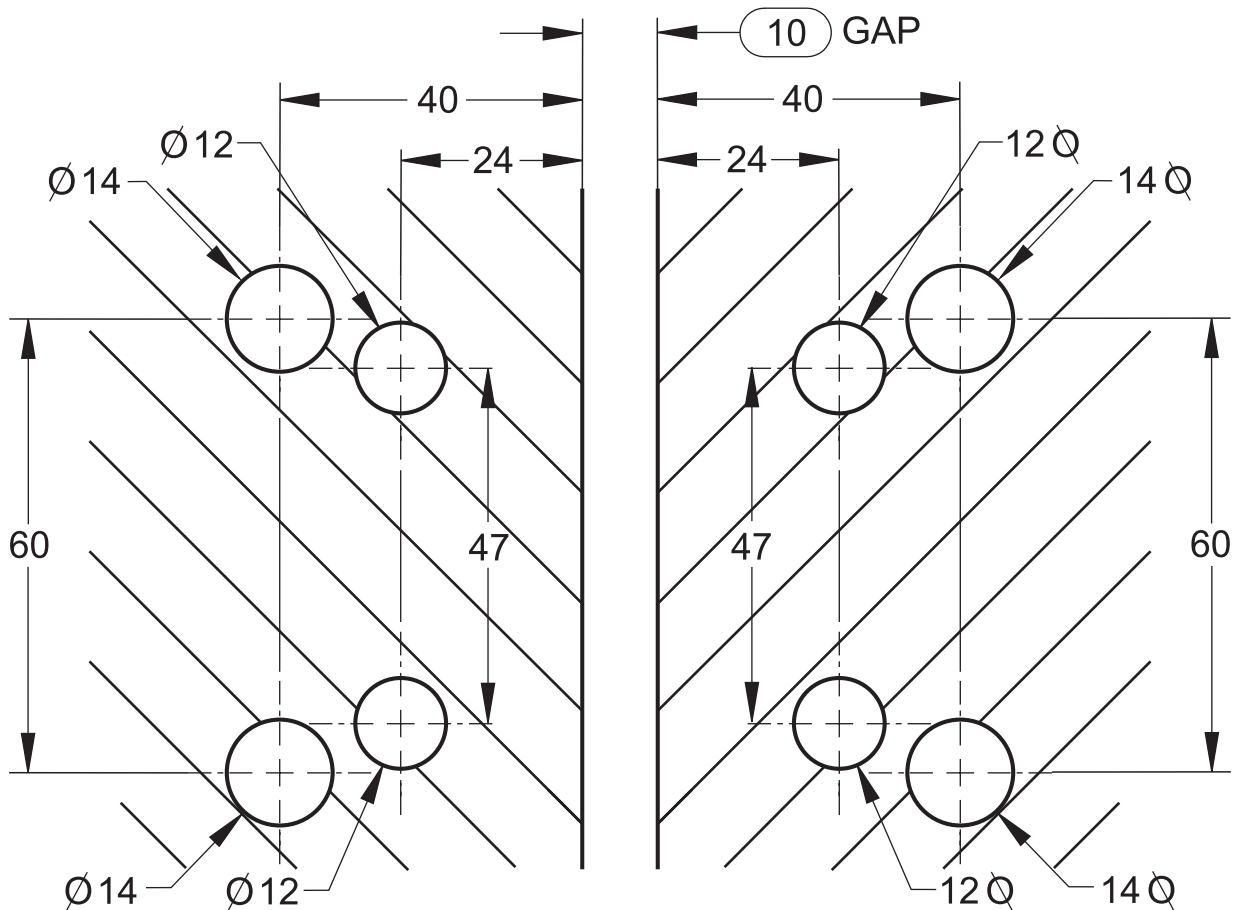


GLASS CUT-OUT TOP AND BOTTOM  
(ALL DIMENSIONS IN MILLIMETERS)

# GLASS PREPARATION

## 155 HINGE

### GLASS TO GLASS

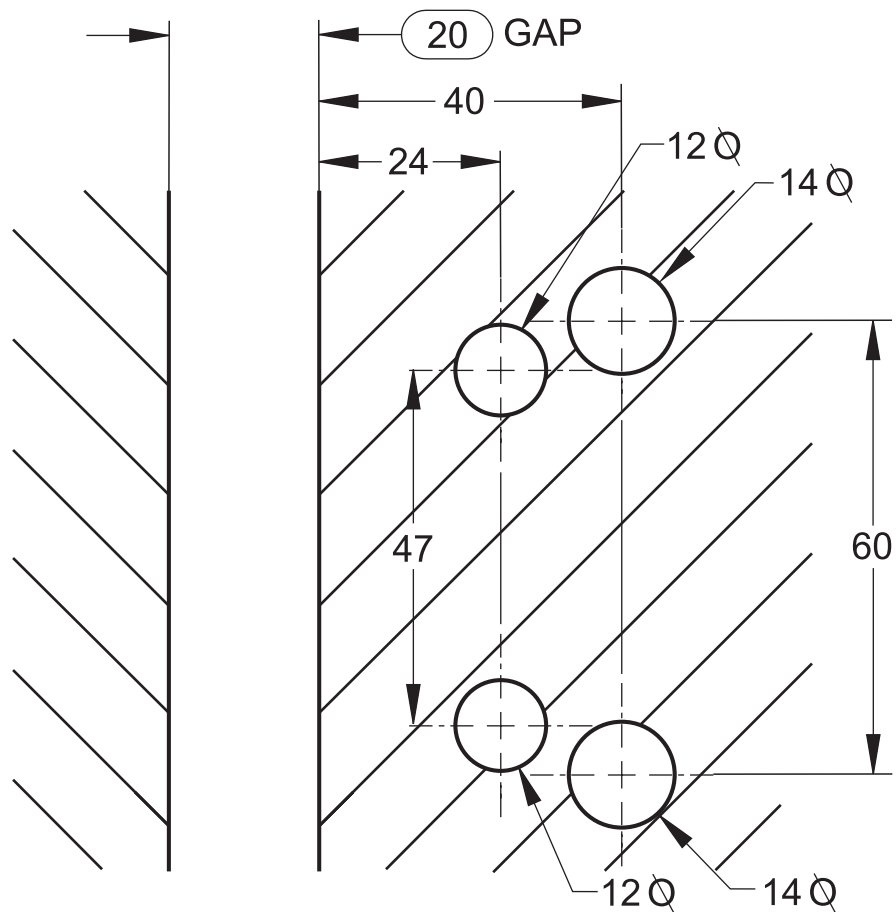


GLASS CUT-OUT TOP AND BOTTOM  
(ALL DIMENSIONS IN MILLIMETERS)

# GLASS PREPARATION

## 155 HINGE

### GLASS TO WALL/POSTS

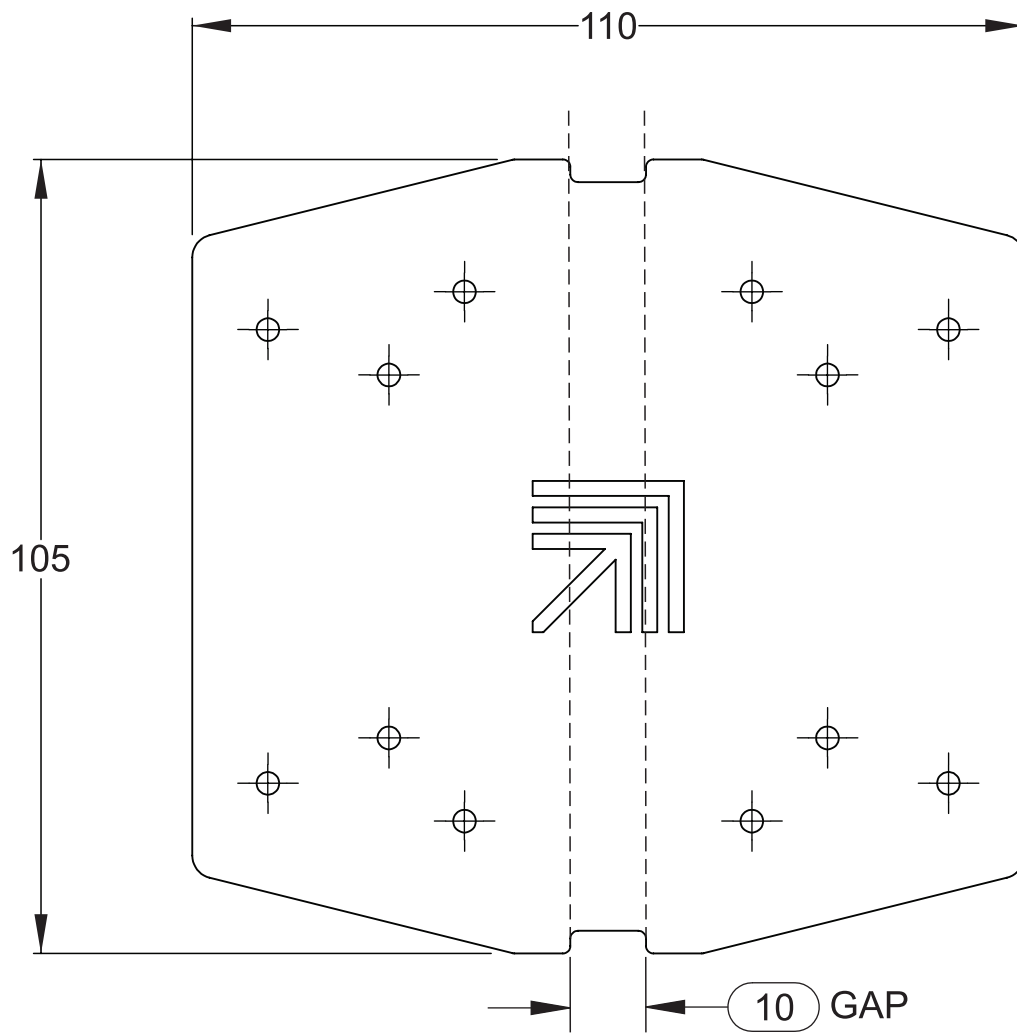


GLASS CUT-OUT TOP AND BOTTOM  
(ALL DIMENSIONS IN MILLIMETERS)

# INSTALL TEMPLATE

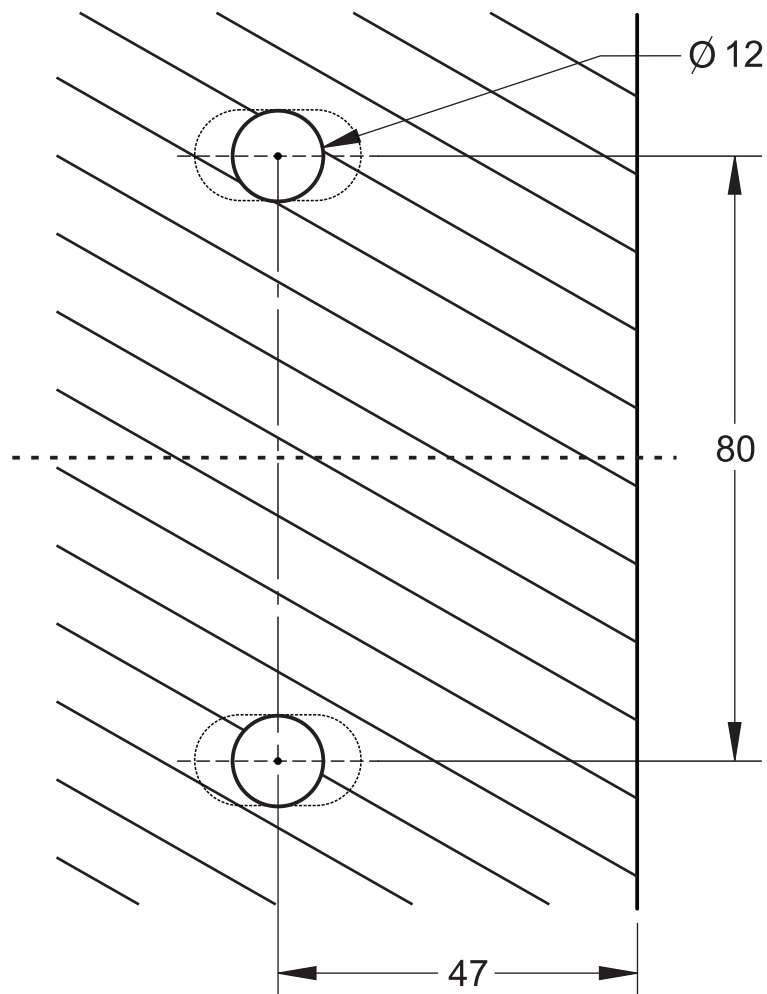
## 156 HINGE

### SURFACE FIX



PILOT HOLE TEMPLATE  
(ALL DIMENSIONS IN MILLIMETERS)

# GLASS PREPARATION 600 SERIES LATCH HOLES GLASS GATES/DOORS



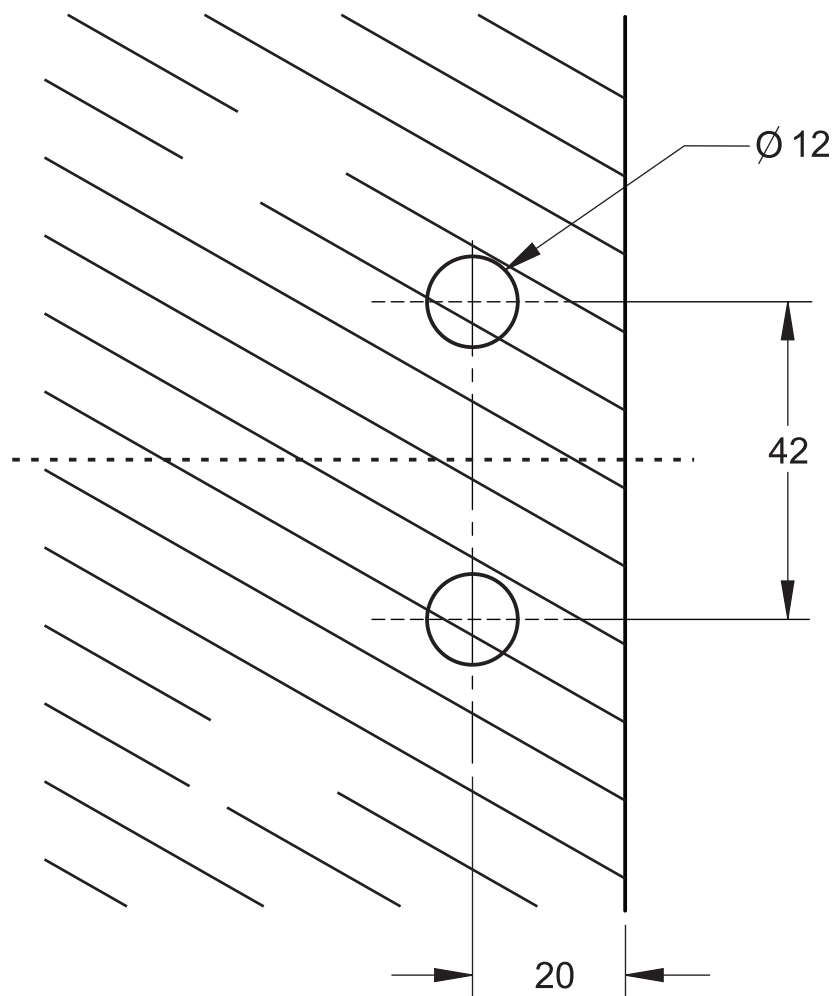
[ALL DIMENSIONS IN MILLIMETERS]



# GLASS PREPARATION

## 700 SERIES LATCH HOLES

### GLASS GATES/DOORS



[ALL DIMENSIONS IN MILLIMETERS]

# GLASS HARDWARE AUSTRALIA

6/4 STOCKYARD PLACE  
WEST GOSFORD NSW 2250  
AUSTRALIA

---

MORE PRODUCTS TO BE AVAILABLE SOON  
PLEASE, CHECK OUR WEBSITE FOR MORE INFORMATION  
[www.polarishinge.com.au](http://www.polarishinge.com.au)

---