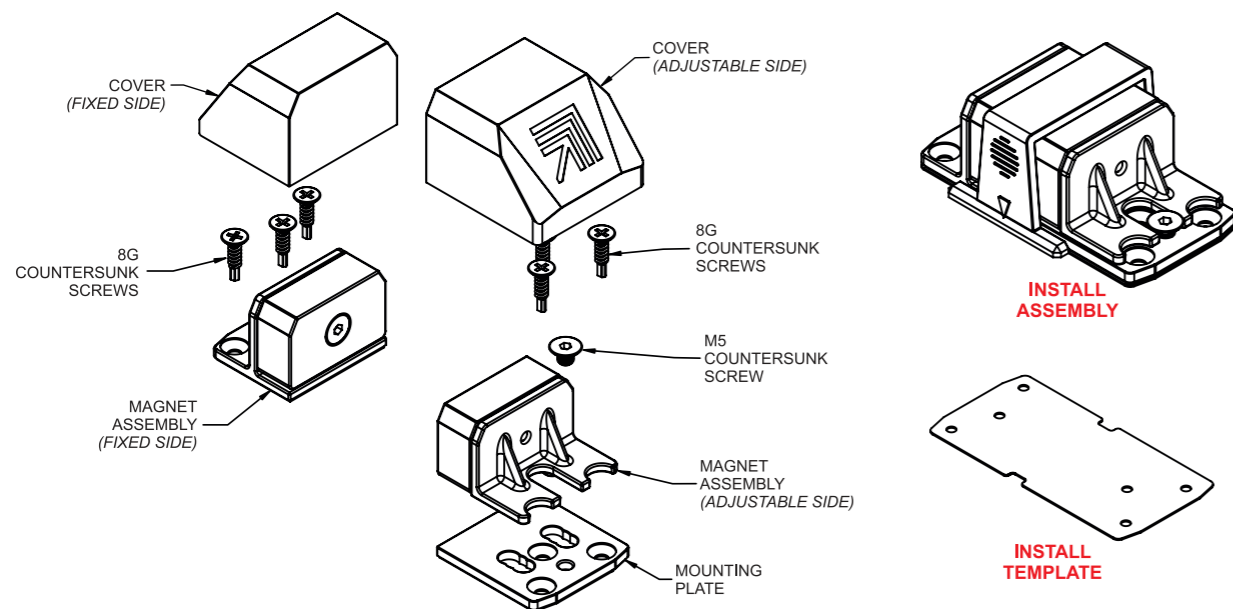




HOW TO FIT THE POLARIS POWERCLOSE

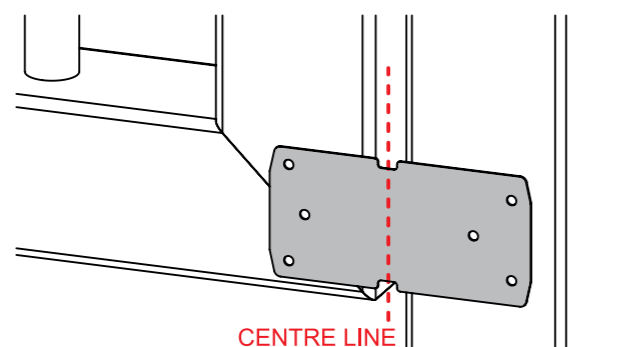
ALUMINIUM, TIMBER & OTHER GATES



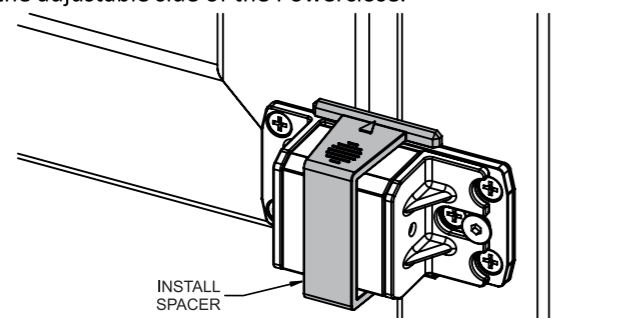
1. Start with removing the install template and the box of screws from the packaging.

**(BE CAREFULL WHEN HANDLING THE POWERCLOSE BECAUSE OF STRONG MAGNETS !
THEY ALSO ATTRACT STEEL BITS ETC. AT INSTALL - KEEP AT A DISTANCE TO KEEP CLEAN)**

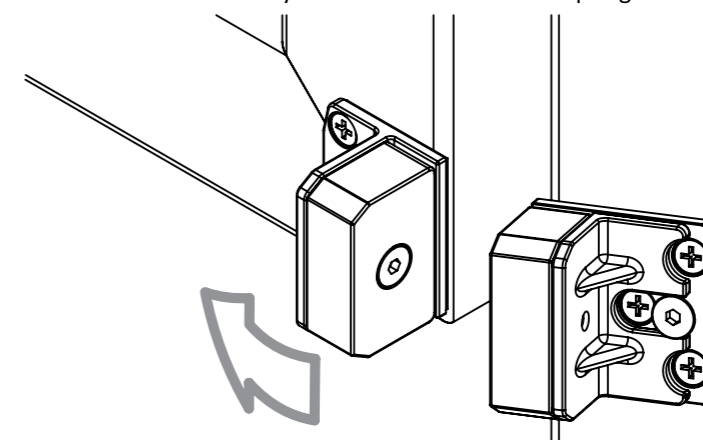
2. Powerclose is designed to assist Polaris hinges overcome Electric strike locks. Multiple Powerclose units can be used in worst case scenarios (Stubborn electric strikes, heavier gates) Ensure the gap between the electric strikes post and the gate is wider rather than narrow as this reduces the strikes resistance force ie. The gates tongue depresses easier against the electric strike.
3. Position the plastic template on the inside of the gate & hinge post where the gate moves away when opened. Same gate end as the hinges but opposite face. Top or bottom of the gate/post is suitable. You want the Powerclose to pull the gate closed. Ensure the template is square and centred at the gate gap before marking and drilling 3mm pilot holes (left, right or mirrored orientation doesn't matter)



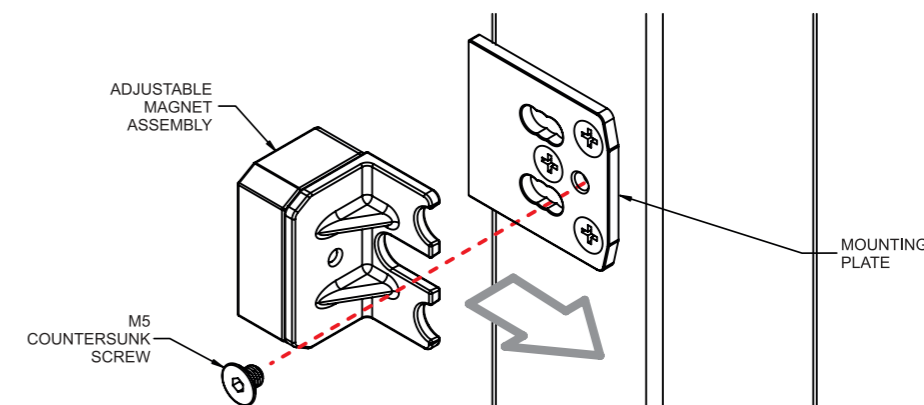
4. Once you have accurately drilled the pilot holes you can remove the template and mount the Powerclose as in the box. Position it over the pilot holes and fasten it in with the 8G countersunk screws provided. Screws should finish flush and not protrude, especially for the adjustable side of the Powerclose.



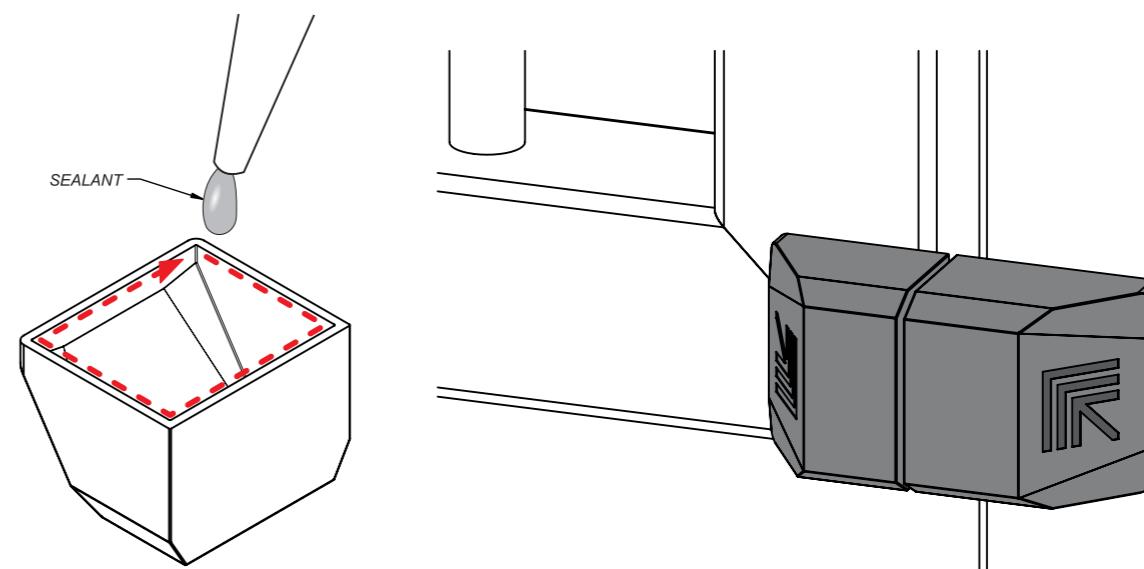
5. Test open the gate and remove the install spacer (between magnets). Allow the gate to close and check that the tongue over comes the electric strike lock. You may now need to reduce the spring tension on the Polaris hinges to find that happy balance.



6. The force of the Powerclose magnets might be too strong, so it can also be reduced by adjustment. Open the gate to separate the magnets, then unscrew the M5 countersunk screw with a 3mm Allen key tool. Lift off the adjustable magnet assembly and reposition the locators into the next row of holes in the mounting plate – further away (watch out for pinching finger tips). Re-install the M5 screw and re-test the gates closing action.



7. If you are comfortable with the closing action overcoming the electric strike, you can prepare to fit the black plastic covers. Installing the covers requires some silicone sealant/caulk around the inner perimeter of the opening. The sealant will secure the covers on long term and protect the magnets from corrosion (water ingress)



TROUBLE SHOOTING

- A. Gate is not closing:** Check that the electric strike post to gate gap is not too close (see 3.) Ensure the gap between magnets hasn't changed – too far apart (see 4.) A second Powerclose might be necessary to overcome your electric strikes resistance and/or the gates weight
- B. Gate is slamming:** Adjust the magnet force – reduce magnet gap so it is a weaker force (see 6.)

POLARIS SOFT CLOSE HINGE IS AN AUSTRALIA DESIGN AWARD™ WINNER – Glass Hardware Australia

WWW.POLARISHINGE.COM - INFO@POLARISHINGE.COM