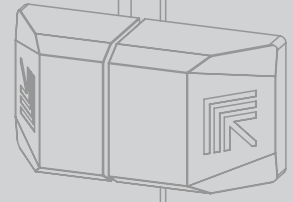


# TECHNICAL DATA

## POWERCLOSE

A S S U R I T Y



### DOOR/GATE SPECIFICATION

The PowerClose has been tested with the following door/gate specifications

**Size:** 35in (W) x 82in (H)

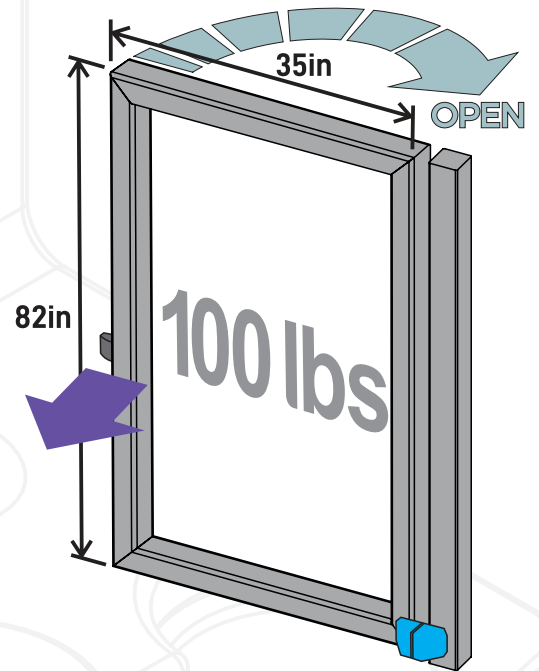
**Max. Weight:** 100 lbs

**Closing strength:** 4lbs (\*@ tongue)

\*The closing strength is measuring the magnetic pull at the latch tongue end. The strength needed to overcome resistant tongue/striker. Wider door/gates have a weaker closing strength and the opposite for narrower doors/gates (see diagram below)

Should your door/gate be **heavier**, then an additional Powerclose Kit might be required to get the final snap close.

Should your door/gate be **lighter**, then there is the option of adjusting one of the magnets to be slightly further away (see install instructions) which will reduce the magnetic force in the **POWERCLOSE ZONE**



### PERFORMANCE DIAGRAM

#### FAST SWING ZONE

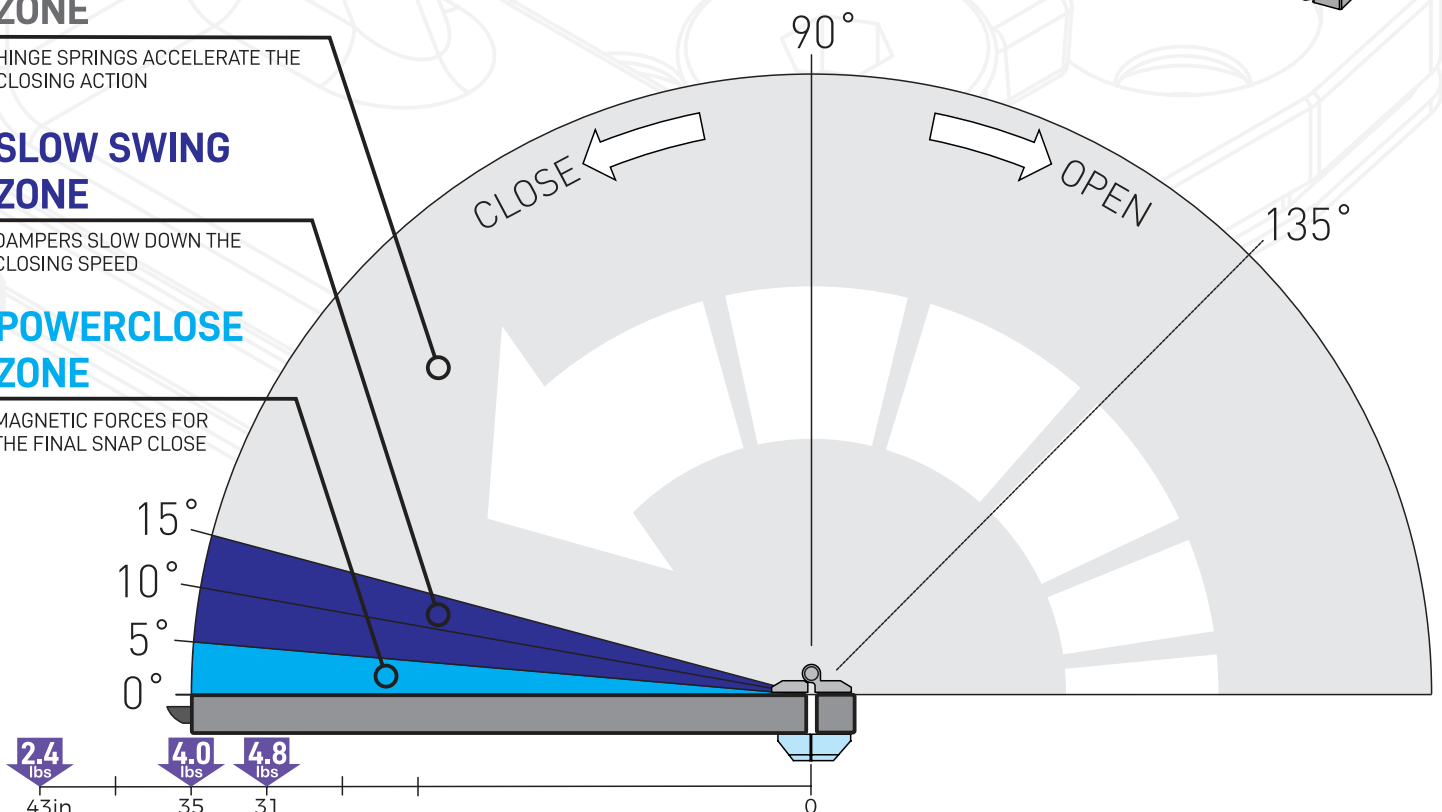
HINGE SPRINGS ACCELERATE THE CLOSING ACTION

#### SLOW SWING ZONE

DAMPERS SLOW DOWN THE CLOSING SPEED

#### POWERCLOSE ZONE

MAGNETIC FORCES FOR THE FINAL SNAP CLOSE



Our Team at Glass Hardware Australia can assist should you have any queries

**Also, check our technical support videos on [YouTube @PolarisSoftCloseHinge](#)**